

4" AR70 Low Voltage Downlight

Designer Series



new

Electrical Integral class 'H' insulated dry type autotransformer, 120V/12V, 75VA or 277V/12V, 75VA U.L. Listed • Lamp holder: D.C. Bayonet with 200°C, SF-1 leads

Mechanical Housing: Heavy gauge steel with black baked enamel finish • Adjustability: Yoke assembly allows 358° rotation and up to 45° tilt of lamp

Mounting Adjustable mounting brackets accept 1 1/2" "C" channel mounting bars • Indy Tru-Lock grid ceiling bar hangers are supplied standard • For non-accessible ceilings add suffix "825" for 28" "C" channel mounting bars • 3/4" maximum ceiling thickness. Trim collar is available for thicker ceilings; consult factory

Labels and Listings UL/C-UL Listed for feed through and damp locations • I.B.E.W. Union made



Description

Two-piece optical system maximizes lamp output while providing excellent glare control.

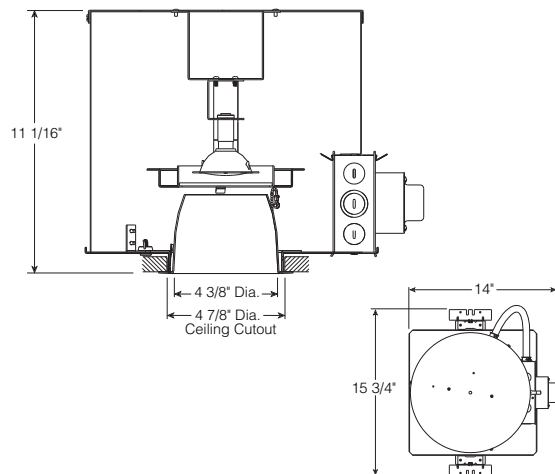
Features

Lower Cone Self-flanged, clear Alzak® (SACSF) satin cone with low iridescent finish is standard • Other Alzak® satin finishes are available; see trim options.

Ordering Information Example: LD34-751-SACSF-825

Model	Lamp Wattage	Trim Options	Options
LD34	751	SACSF	825
LD34	751-12V: 20-50W AR70, 120V 752-12V: 20-50W AR70, 277V	Alzak® Satin Finish Options SACSF-Clear CGCSF-Champagne Gold BACSF-Black PACSF-Pewter WTCSF-Wheat BRCSF-Bronze Painted Finish Options WHCF-White Cone	PF-Painted Flange Only F-Fuse and Fuse Holder 825-28" "C" Channel Mounting Bars (pair)

Dimensions



Accessories

To specify, order as additional item.
Example: **SCA4-20**

SCA4-[*]-Sloped Ceiling Adapter

(*Angle must be specified when ordered; available in 5°, 10°, 15°, 20°, 25°, 30°)

† Consult Factory for Availability

Low Voltage

Designer Series



JUNO LIGHTING GROUP
by Schneider Electric