

new



Description

Internally adjustable accent light is designed for directional, focused lighting.

Features

Reflector Self-flanged, clear Alzak® (SACSF) satin cone with low iridescent finish is standard • Other Alzak® satin finishes are available; see trim options

Electrical Lamp Holder: Mogal end prong base with white, unglazed porcelain body and heavy duty copper alloy, nickel plated brass screw shell

- Lamp holder: Mogal end prong base with white, unglazed porcelain body and heavy duty copper alloy, nickel plated brass screw shell

Mechanical Housing: Cold rolled steel with black baked enamel finish • Adjustability: Yoke assembly allows 358° rotation and up to 35° tilt of lamp

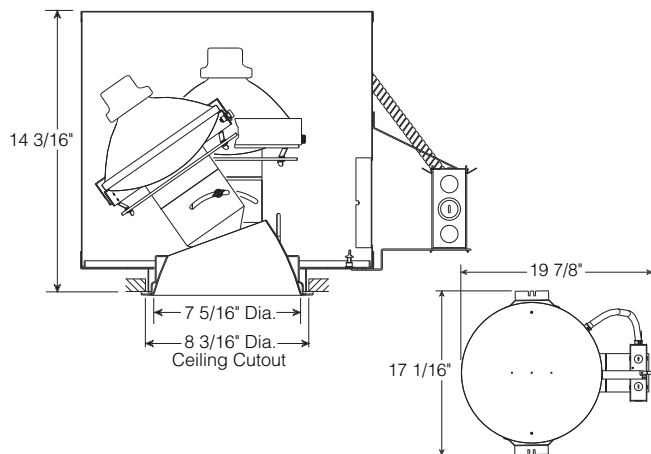
Mounting Adjustable mounting brackets accept 1 1/2" "C" channel mounting bars • Indy Tru-Lock grid ceiling bar hangers are supplied standard • For non-accessible ceilings add suffix "825" for 28" "C" channel mounting bars • 3/4" maximum ceiling thickness. Trim collar is available for thicker ceilings; consult factory

Labels and Listings UL/C-UL Listed for feed through and damp locations • I.B.E.W. Union made

Ordering Information Example: IA48-5001-SACSF-825

Model	Lamp Wattage	Trim Options	Options
IA48	5001	SACSF	825
IA48	5001-500W PAR56; 120V 3001-300W PAR56; 120V	Alzak® Satin Finish Options SACSF-Clear CGCSF-Champagne Gold PACSF-Pewter WTCSF-Wheat BRCSF-Bronze Painted Finish Options WHCF-White Cone	PF-Painted Flange Only F-Fuse and Fuse Holder 825-28" "C" Channel Mounting Bars (pair)

Dimensions



Incandescent

Designer Series



JUNO LIGHTING GROUP
by Schneider Electric

† Consult Factory for Availability