

new



Description

Two-piece optical system maximizes lamp output while providing excellent glare control.

Features

Upper Reflector Diffused, faceted Alzak® upper reflector available in narrow, medium and wide beam distributions • Design accommodates variations in lamp manufacturing tolerances without loss of efficiency or control

Shielding Protective heat tempered borosilicate glass lamp shield • Relamping: serviceable from above or below ceiling

Cone Self-flanged, clear Alzak® (SACSF) satin cone with low iridescent finish is standard • Other Alzak® satin finishes are available; see trim options

Electrical Lamp Holder: Mini-can screw base socket with corrosion resistant, high temperature type contacts • Lamp holder: mini-can screw base socket with corrosion resistant, high temperature type contacts

Mechanical Housing: Cold rolled steel with black baked enamel finish • Extruded aluminum socket housing with heat dissipating fins allows for operation well within U.L. temperature requirements

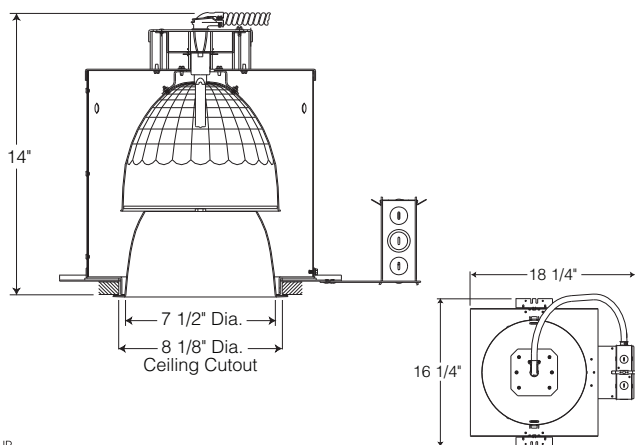
Mounting Adjustable mounting brackets accept 1 1/2" "C" channel mounting bars • Indy Tru-Lock grid ceiling bar hangers are supplied standard • For non-accessible ceilings add suffix "825" for 28" "C" channel mounting bars • 3/4" maximum ceiling thickness. Trim collar is available for thicker ceilings; consult factory

Labels and Listings UL/C-UL listed for feed through and damp locations • I.B.E.W. Union made • Fixture meets requirements for use in non-fire rated ceiling construction

Ordering Information Example: ID58N-2501-SACSF-825

| Model | Lamp Wattage | Trim Options | Options |
|---------------------------------|--|---|--|
| ID58N | 2501 | SACSF | 825 |
| ID58N Narrow Distribution | 2501-250W T-4 Inside Frosted Tungsten Halogen, 120V 5001-500W T-4 Inside Frosted Tungsten Halogen, 120V | Alzak® Satin Finish Options SACSF-Clear CGCSF-Champagne Gold BACSF-Black PACSF-Pewter WTCFSF-Wheat BRCSF-Bronze Painted Finish Options WHCF-White Cone BKB-Black Multi Groove Baffle | PF-Painted Flange Only F-Fuse and Fuse Holder 825-28" "C" Channel Mounting Bars (pair) |
| ID58M Medium Distribution | | | |
| ID58W Wide Distribution | | | |

Dimensions



Accessories

To specify, order as additional item.
Example: SCA8-20

SCA8-[*]-Sloped Ceiling Adapter

(*Angle must be specified when ordered; available in 5°, 10°, 15°, 20°, 25°, 30°)

