

new



Description

Two-piece optical system maximizes lamp output while providing excellent glare control.

Features

Lower Cone Self-flanged, clear Alzak® (SACSF) satin cone with low iridescent finish is standard • Other Alzak® satin finishes are available; see trim options

Electrical Transformer: 277 Volt class 'H' insulated dry type autotransformer, 277V/115V, 150-watt U.L. approved • Maximum of 5.5 watts loss under no load • Lamp holder: medium base heavy duty porcelain socket with spring loaded center contact and nickel plated brass screw shell

Mechanical Housing: Heavy gauge steel with black baked enamel finish

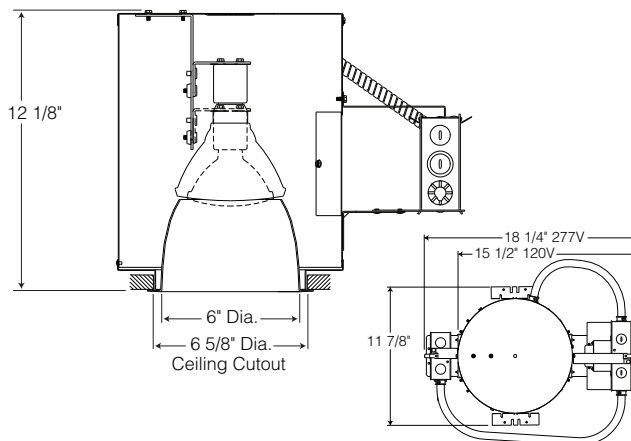
Mounting Adjustable mounting brackets accept 1 1/2" "C" channel mounting bars • Indy Tru-Lock grid ceiling bar hangers are supplied standard • For non-accessible ceilings add suffix "825" for 28" "C" channel mounting bars • 3/4" maximum ceiling thickness. Trim collar is available for thicker ceilings; consult factory

Labels and Listings UL/C-UL Listed for feed through and damp locations • I.B.E.W. Union made

Ordering Information Example: ID36-1501-SACSF-825

Model	Lamp Wattage	Trim Options	Options
ID36	1501	SACSF	825
ID36	1501-50-70W PAR30, 45-150W PAR38; 120V 1502-50-70W PAR30, 45-150W PAR38; 277V	Alzak® Satin Finish Options SACSF-Clear CGCSF-Champagne Gold BACSF-Black PACSF-Pewter WTCSF-Wheat BRCSF-Bronze Painted Finish Options WHCF-White Cone	PF-Painted Flange Only F-Fuse and Fuse Holder †CP-Chicago Plenum Approval 825-28" "C" Channel Mounting Bars (pair)

Dimensions



Accessories

To specify, order as additional item.
Example: **SCA6-20**

SCA6-[*]-Sloped Ceiling Adapter

(*Angle must be specified when ordered; available in 5°, 10°, 15°, 20°, 25°, 30°)

