

4" Sq. T-6 Metal Halide Downlight

Designer Series



Description

Two-piece optical system maximizes lamp output while providing excellent glare control.

Features

Upper Reflector Faceted, specular clear Alzak® reflector is standard

Lower Trim Self-flanged, clear Alzak® (SATSF) satin trim with low iridescent finish is standard • Other Alzak® satin finishes are available; see options

Electrical Ballast: 120/277V electronic solid state, HPF, reliable starting to -30° • Pre-wired junction box, thermal protection and 200° C, SF-1 wire standard • Lamp holder: G12 socket base with heavy duty recessed female contacts • 660W, 600V, rated for 5kV pulse

Mechanical Fixture housing is cold rolled steel with black baked enamel finish

Mounting Adjustable mounting brackets accept 1 1/2" "C" channel mounting bars • Indy Tru-Lock grid ceiling bar hangers are supplied standard • For non-accessible ceilings add suffix "825" for 28" "C" channel mounting bars • 3/4" maximum ceiling thickness. Trim collar is available for thicker ceilings; consult factory

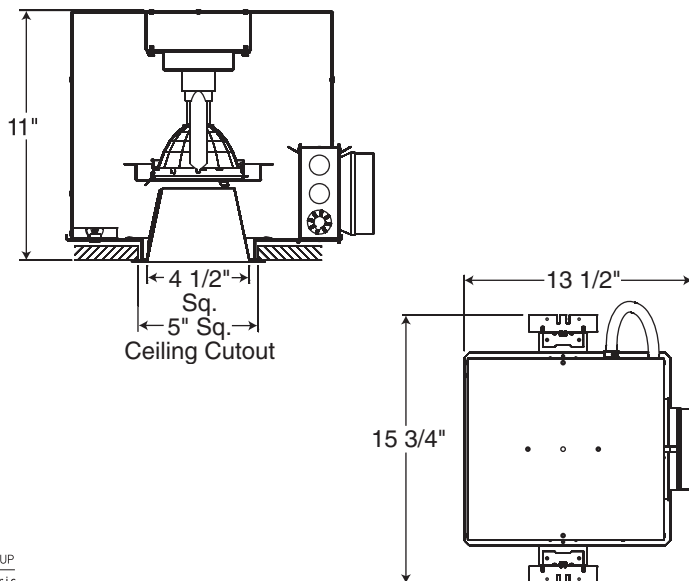
Lamp Shown with T-6 type ceramic metal halide lamp (by others) • Protective clear tempered glass lamp guard is standard

Labels and Listings UL/C-UL Listed for feed through and damp locations • I.B.E.W. Union made

Ordering Information Example: HDSQ54-70E-SATSF-825

Model	Lamp Wattage	Ballast	Trim Options	Options
HDSQ54	70	E	SATSF	825
HDSQ54	20 39 70	E-120/277V Electronic	Alzak® Satin Finish Options SATSF [▲] -Clear CGTSF [▲] -Champagne Gold BATSF [▲] -Black PATSF [▲] -Pewter WTTSF [▲] -Wheat BRTSF [▲] -Bronze Painted Finish Options WHTF-White Cone	PF-Painted Flange Only (white) ***F-Fuse and Fuse Holder (Where *** = voltage) †CP-Chicago Plenum Approval 825-28" "C" Channel Mounting Bars (pair) †347-347 Volt

Dimensions



▲ For Specular Trim, remove "S" (Example: SATF)

† Consult Factory for Availability