

6" PAR30/38 Metal Halide Downlight

Designer Series



Description

Two-piece optical system maximizes lamp output while providing excellent glare control.

Features

Lower Cone Self-flanged, clear Alzak® (SACSF) satin cone with low iridescent finish is standard • Other Alzak® satin finishes are available; see options

Electrical Ballast: Universal 120/277V electronic solid state, HPF, reliable starting to -30°F • Pre-wired junction box, thermal protection and 200°C, SF-1 wire standard

• Lamp holder: medium base heavy duty 4kV porcelain socket with nickel-plated brass screw shell

Mechanical Fixture housing is cold rolled steel with black baked enamel finish

Mounting Adjustable mounting brackets accept 1 1/2" "C" channel mounting bars • Indy Tru-Lock grid ceiling bar hangers are supplied standard • For non-accessible ceilings add suffix "825" for 28" "C" channel mounting bars • 3/4" maximum ceiling thickness. Trim collar is available for thicker ceilings; consult factory

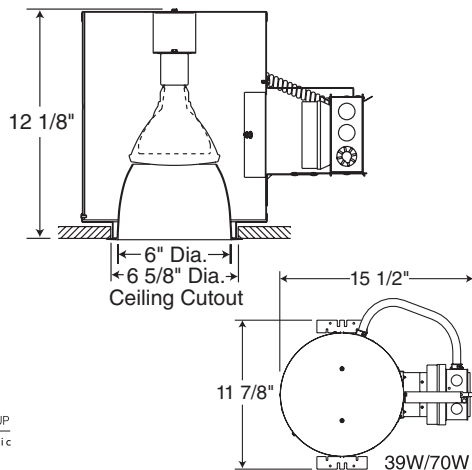
Lamp Shown with PAR30 and PAR38 metal halide lamps (by others)

Listing UL/C-UL listed for feed through and damp locations • I.B.E.W. Union made • UL spacing requirement for 150-watts: Minimum of 4' between fixture centers, 3" overhead clearance and 2' from fixture center to side wall

Ordering Information Example: HDB6-70E-SACSF-825

Model	Lamp Wattage	Ballast	Trim Options	Options
HDB6	70	E	SACSF	825
HDB6	39-39W, PAR30 70-70W, PAR30/38 100-100W, PAR38 ⓔ 150-150W, PAR38	E-120/277V Electronic (39/70/100W only) E1-120V Electronic (150W only) E2-277V Electronic (150W only)	Alzak® Satin Finish Options SACSF-Clear (std) CGCSF-Champagne Gold BACSF-Black PACSF-Pewter WTCSF-Wheat BRCSF-Bronze Painted Finish Options WHCF-White Cone	PF-Painted Flange Only (white) ***F-Fuse and Fuse Holder (Where *** = voltage) †CP-Chicago Plenum Approval 825-28" "C" Channel Mounting Bars (pair) ‡347-347 Volt

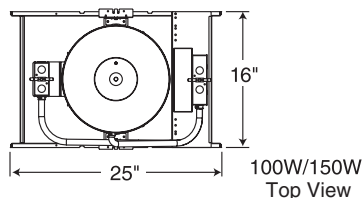
Dimensions



Accessories

To specify, order as additional item.
Example: SCA6-20

SCA6-[*]-Sloped Ceiling Adapter
(*Angle must be specified when ordered; available in 5°, 10°, 15°, 20°, 25°, 30°)



ⓔ Indicates that the product meets DOE energy efficient standards - EISA compliant.
† Consult Factory for Availability

