

# 8" ED17 Metal Halide Downlight (Enclosed)

Designer Series

ENERGY EFFICIENT



**Electrical** Ballast: Universal 120/277 Volt electronic solid state, HPF, reliable starting to -30°C • Pre-wired junction box, thermal protection and 200°C, SF-1 wire standard

• Lamp holder: medium base heavy duty 4kV porcelain socket with nickel-plated brass screw shell

**Mechanical** Fixture housing is cold rolled steel with black baked enamel finish

**Mounting** Adjustable mounting brackets accept 1 1/2" "C" channel mounting bars • Indy Tru-Lock grid ceiling bar hangers are supplied standard • For non-accessible ceilings add suffix "825" for 28" "C" channel mounting bars • 3/4" maximum ceiling thickness. Trim collar is available for thicker ceilings; consult factory

**Lamp** Shown with a medium base clear ED-17 metal halide lamp (by others) • Protective clear tempered glass lamp guard is standard

**Listings** UL/C-UL listed for feed through and damp locations • I.B.E.W. Union made • UL spacing requirement for 150-watts: Minimum of 4' between fixture centers, 3" overhead clearance and 2' from fixture center to side wall



## Description

Two-piece optical system maximizes lamp output while providing excellent glare control.

## Features

**Upper Reflector** Faceted, specular clear Alzak® reflector is standard

**Lower Cone** Self-flanged, clear Alzak® (SACSF) satin cone with low iridescent finish is standard • Other Alzak® satin finishes are available; see options

## Ordering Information Example: HD18-70E-SACSF-825

Model	Lamp Wattage	Ballast	Trim Options	Options
HD18	70	E	SACSF	825
HD18	50 70 100 ⓔ 150	E-ED17 Clear, Non-Protected MH 120/277V Electronic (50/70/100W only) E1-ED17 Clear, Non-Protected MH 120V Electronic (150W only) E2-ED17 Clear, Non-Protected MH 277V Electronic (150W only)	Alzak® Satin Finish Options SACSF-Clear (std) CGCSF-Champagne Gold BACSF-Black PACSF-Pewter WTCSF-Wheat BRCSF-Bronze Painted Finish Options WHCF-White Cone	PF-Painted Flange Only (white) ***F-Fuse and Fuse Holder (Where *** = voltage) †CP-Chicago Plenum Approval 825-28" "C" Channel Mounting Bars (pair) †347-347 Volt

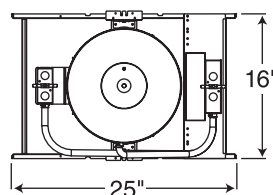
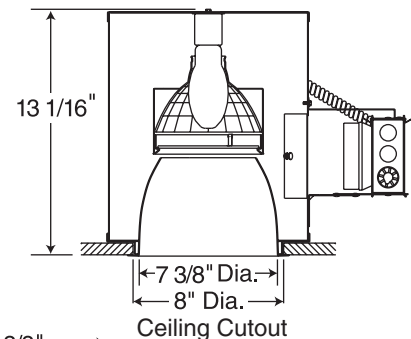
## Accessories

To specify, order as additional item.  
Example: **SCA8-20**

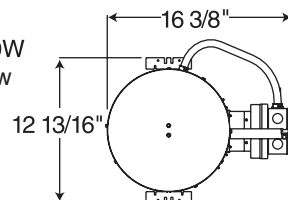
### SCA8-[\*]-Sloped Ceiling Adapter

(\*Angle must be specified when ordered; available in 5°, 10°, 15°, 20°, 25°, 30°)

## Dimensions



100W/150W Top View



50W/70W

ⓔ Indicates that the product meets DOE energy efficient standards - EISA compliant.

† Consult Factory for Availability

HID

Designer Series

