

4" T-6 Metal Halide Downlight

Designer Series



Description

Two-piece optical system maximizes lamp output while providing excellent glare control.

Features

Upper Reflector Faceted, specular clear Alzak® flood reflector is standard

Lower Cone Self-flanged, clear Alzak® (SACSF) satin cone with low iridescent finish is standard • Other Alzak® satin finishes are available; see options

Electrical Ballast: 120/277V electronic solid state, HPF, reliable starting to -30°F • Pre-wired junction box, thermal protection and 200°C, SF-1 wire standard
 • Lamp holder: G12 socket base with heavy duty recessed female contacts • 660W, 600V, rated for 5kV pulse

Mechanical Fixture housing is cold rolled steel with black baked enamel finish

Mounting Adjustable mounting brackets accept 1 1/2" "C" channel mounting bars • Indy Tru-Lock grid ceiling bar hangers are supplied standard • For non-accessible ceilings add suffix "825" for 28" "C" channel mounting bars • 3/4" maximum ceiling thickness. Trim collar is available for thicker ceilings; consult factory

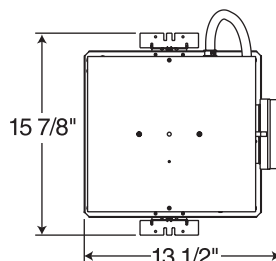
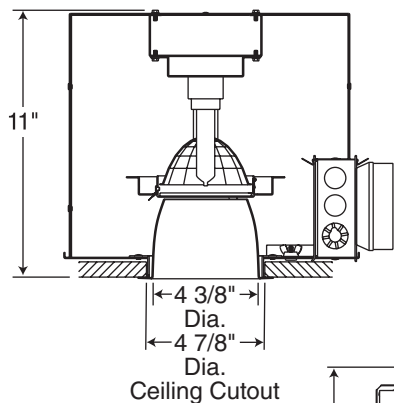
Lamp Shown with T-6 type ceramic metal halide lamp (by others) • Protective clear tempered glass lamp guard is standard

Labels and Listings UL/C-UL Listed for feed through and damp locations • I.B.E.W. Union made

Ordering Information Example: HD54-39E-SACSF-825

Model	Lamp Wattage	Ballast	Trim Options	Options
HD54	39	E	SACSF	825
HD54	20 39 70	E-120/277V Electronic	Alzak® Satin Finish Options SACSF-Clear CGCSF-Champagne Gold BACSF-Black PACSF-Pewter WTCSF-Wheat BRCSF-Bronze Painted Finish Options WHCF-White Cone	PF-Painted Flange Only (white) ***F-Fuse and Fuse Holder (Where *** = voltage) †CP-Chicago Plenum Approval 825-28" "C" Channel Mounting Bars (pair) †347-347 Volt

Dimensions



Accessories

To specify, order as additional item.

Example: SCA4-20

SCA4-[*]-Sloped Ceiling Adapter

(*Angle must be specified when ordered; available in 5°, 10°, 15°, 20°, 25°, 30°)

† Consult Factory for Availability

HID

Designer Series



JUNO LIGHTING GROUP
by Schneider Electric