

# 1' x 2' Long Twin Tube Horizontal 1-Lamp Wall Wash - Designer Series

ENERGY EFFICIENT

indy™

**Electrical** Ballast: universal voltage, electronic solid state, class "P", HPF • Lamp holder: 2G11 base, UV stabilized thermoplastic, 125° C temperature rating, 75W, 600V

**Mechanical** Housing and end-plates are heavy gauge die-formed cold rolled steel for strength and rigidity  
• Housing finish is baked white enamel

**Mounting** T-Bar: End brackets rest on T-bar. Side rails support lay-in tile. Bracket is set for standard 1 1/2" T-bar. Drywall: Drywall frame mounts in ceiling; framed by others. Fixture lies in drywall frame

**Lamp** Shown with one (1) long twin tube fluorescent lamp (by others) • Prismatic lamp shield

**Labels and Listings** UL/C-UL Listed for feed through and damp locations • I.B.E.W. Union made



## Description

Specialized kicker reflector provides very wide, striation-free wall wash distribution.

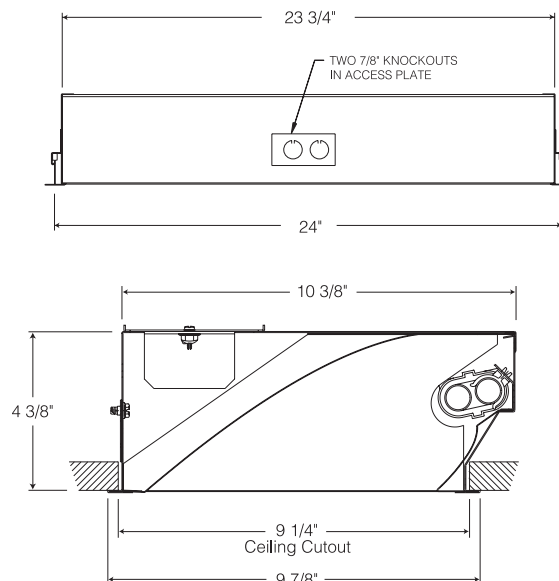
## Features

**Reflector** Non-iridescent specular clear aluminum  
• Protective film dust guard

## Ordering Information Example: 25R71-40E-SA-DWF

Model	Lamp Wattage	Ballast	Trim Options	Options
25R71	40	E	SA	DWF
25R71	40-40W PL-L; DULUX-40; F40BX 50-50W PL-L; F50BX 55-55W DULUX-L55 80-80W PL-L80	E-Electronic Universal Voltage	Alzak® Clear Finish Options SA-Clear CG-Champagne Gold BA-Black PA-Pewter WT-Wheat BR-Bronze	LD <sup>1</sup> -Dimming Ballast, Lutron Compact SE AD <sup>1</sup> -Dimming Ballast, Advance Mark 10™ D7-Dimming Ballast, Advance Mark 7™ ***F-Fuse and Fuse Holder (Where *** = voltage) †CP-Chicago Plenum Approval DWF-Drywall Frame †347-347 Volt

## Dimensions



<sup>1</sup> Add a -1 for 120V, a -2 for 277V

† Consult Factory for Availability

Compact Fluorescent

Designer Series



JUNO LIGHTING GROUP  
by Schneider Electric