

# 1' x 1' Triple Tube Horizontal 1-Lamp Wall Wash

Designer Series



## Description

Specialized kicker reflector provides very wide, striation-free wall wash distribution.

## Features

**Reflector** Semi-specular clear pre-anodized aluminum with low iridescent finish • Other Alzak® finishes are available; see options • Protective film dust guard

**Electrical** Ballast: universal voltage, electronic solid state, class "P", HPF • Lamp holder: GX24q base, UV stabilized thermoplastic, 125° C temperature rating, 75W, 600V

**Mechanical** Housing and end-plates are heavy gauge die-formed cold rolled steel for strength and rigidity • Housing finish is baked white enamel • Heavy gauge galvanized steel mounting frame • Heavy gauge steel trim flange designed to conceal ceiling cutout. Finish to be matte white baked enamel

**Mounting** Adjustable mounting brackets accept 1 1/2" "C" channel mounting bars • Indy Tru-Lock grid ceiling bar hangers are supplied standard • For non-accessible ceilings add suffix "825" for 28" "C" channel mounting bars

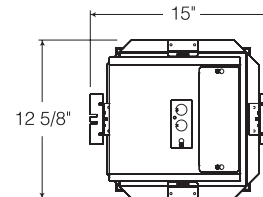
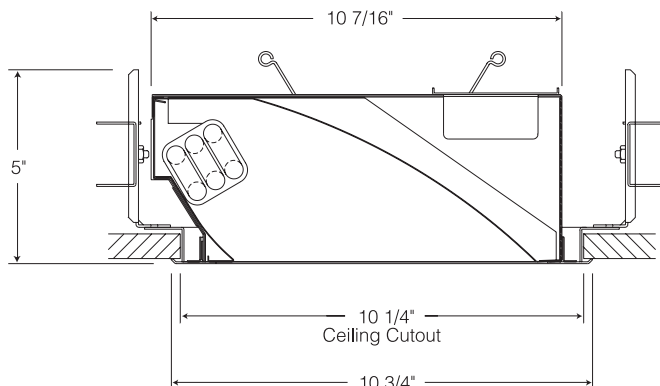
**Lamp** Shown with one (1) triple tube compact fluorescent lamp (by others)

**Labels and Listings** UL/C-UL Listed for feed through and damp locations • I.B.E.W. Union made

## Ordering Information Example: 25SQ21-42E-SA-825

Model	Lamp Wattage	Ballast	Trim Options	Options
25SQ21	42	E	SA	825
25SQ21	42 57 70	E-Electronic Universal Voltage	Alzak® Clear Finish Options SA-Clear CG-Champagne Gold BA-Black PA-Pewter WT-Wheat BR-Bronze	LD <sup>1</sup> -Dimming Ballast, Lutron Compact SE AD <sup>1</sup> -Dimming Ballast, Advance Mark 10" D7-Dimming Ballast, Advance Mark 7" †BP1-I-120V Emergency Battery Pack with Internal Test Switch (For remote test switch specify - BP1) †BP2-I-277V Emergency Battery Pack with Internal Test Switch (For remote test switch specify - BP2) ***F-Fuse and Fuse Holder (Where *** = voltage) †CP-Chicago Plenum Approval 825-28" "C" Channel Mounting Bars (pair) †347-347 Volt

## Dimensions



Ceiling Cutout:  
10 7/8" x 10 1/4"



JUNO LIGHTING GROUP  
by Schneider Electric

<sup>1</sup> Add a -1 for 120V, a -2 for 277V

† Consult Factory for Availability