

# 4" Sq. Triple Tube Vertical 1-Lamp Downlight

Designer Series



## Description

Two-piece optical system maximizes lamp output while providing excellent glare control.

## Features

**Upper Reflector** Finish is specular clear Alzak® standard

**Lower trim** Self-flanged, clear Alzak® (SATSF) satin trim with low iridescent finish is standard • Other Alzak® satin finishes are available; see options

**Electrical** Ballast: universal voltage, electronic solid state, class "P", HPF • Lamp holder: GX24q base, UV stabilized thermoplastic, 125° C temperature rating, 75W, 600V max

**Mechanical** Fixture housing is cold rolled steel with black baked enamel finish

**Mounting** Adjustable mounting brackets accept 1 1/2" "C" channel mounting bars • Indy Tru-Lock grid ceiling bar hangers are supplied standard • For non-accessible ceilings add suffix "825" for 28" "C" channel mounting bars • 3/4" maximum ceiling thickness. Trim collar is available for thicker ceilings; consult factory

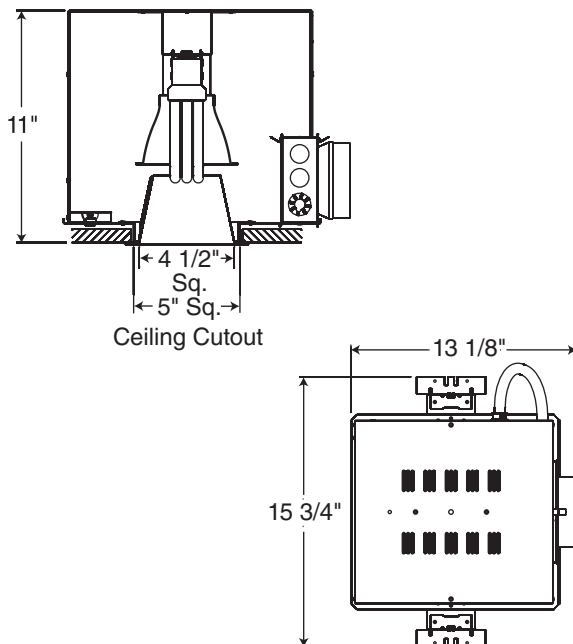
**Lamp** Shown with one (1) triple tube compact fluorescent lamp (by others)

**Labels and Listings** UL/C-UL Listed for feed through and damp locations • I.B.E.W. Union made

## Ordering Information Example: FDSQ14-32E-SATSF-825

Model	Lamp Wattage	Ballast	Trim Options	Options
FDSQ14	32	E	SATSF	825
FDSQ14	26 32	E-Electronic Universal Voltage	Alzak® Satin Finish Options SATSF <sup>▲</sup> -Clear CGTSF <sup>▲</sup> -Champagne Gold BATSF <sup>▲</sup> -Black PATSF <sup>▲</sup> -Pewter WTTSF <sup>▲</sup> -Wheat BRTSF <sup>▲</sup> -Bronze Painted Finish Options WHTF-White Cone	PF-Painted Flange Only (white) LD <sup>†</sup> -Dimming Ballast, Lutron Compact SE AD <sup>†</sup> -Dimming Ballast, Advance Mark 10™ D7-Dimming Ballast, Advance Mark 7™ BP1-I-120V Emergency Battery Pack with Internal Test Switch (For remote test switch specify - BP1) BP2-I-277V Emergency Battery Pack with Internal Test Switch (For remote test switch specify - BP2) ***F-Fuse and Fuse Holder (Where *** = voltage) †CP-Chicago Plenum Approval 825-28" "C" Channel Mounting Bars (pair) †347-347 Volt

## Dimensions



▲ For Specular Trim, remove "S" (Example: SATF)

† Add a -1 for 120V, a -2 for 277V

† Consult Factory for Availability

