

ENERGY EFFICIENT

indy™

4" Triple Tube Vertical 1-Lamp Downlight

Designer Series



Description

Two-piece optical system maximizes lamp output while providing excellent glare control.

Features

Upper Reflector Finish is specular clear Alzak® standard

Lower Cone Self-flanged, clear Alzak® (SACSF) satin cone with low iridescent finish is standard • Other Alzak® satin finishes are available; see options

Electrical Ballast: universal voltage, electronic solid state, class "P," HPF • Lamp holder: GX24q base, UV stabilized thermoplastic, 125° C temperature rating, 75W, 600V max

Mechanical Fixture housing is cold rolled steel with black baked enamel finish

Mounting Adjustable mounting brackets accept 1 1/2" "C" channel mounting bars • Indy Tru-Lock grid ceiling bar hangers are supplied standard • For non-accessible ceiling add suffix "825" for 28" "C" channel mounting bars • 3/4" maximum ceiling thickness. Trim collar is available for thicker ceilings; consult factory

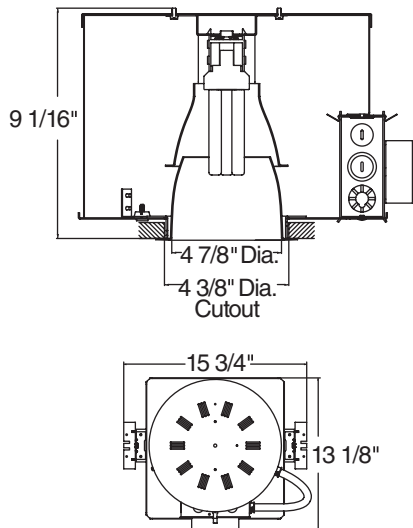
Lamp Shown with one (1) triple tube compact fluorescent lamp (by others)

Labels and Listings UL/C-UL Listed for feed through and damp locations • I.B.E.W. Union made

Ordering Information Example: FD14-18E-SACSF-825

Model	Lamp Wattage	Ballast	Trim Options	Options
FD14	18	E	SACSF	825
FD14	18 26	E-Electronic Universal Voltage	Alzak® Satin Finish Options SACSF-Clear CGCSF-Champagne Gold BACSF-Black PACSF-Pewter WTCSF-Wheat BRCSF-Bronze Painted Finish Options WHCF-White Cone	PF-Painted Flange Only (white) LD ¹ -Dimming Ballast, Lutron Compact SE AD ¹ -Dimming Ballast, Advance Mark 10™ D7-Dimming Ballast, Advance Mark 7™ BP1-I-120V Emergency Battery Pack with Internal Test Switch (For remote test switch specify - BP1) BP2-I-277V Emergency Battery Pack with Internal Test Switch (For remote test switch specify - BP2) ***F-Fuse and Fuse Holder (Where *** = voltage) †CP-Chicago Plenum Approval 825-28" "C" Channel Mounting Bars (pair) †347-347 Volt

Dimensions



Accessories

To specify, order as additional item.

Example: **SCA4-20**

SCA4-[*]-Sloped Ceiling Adapter

(*Angle must be specified when ordered; available in 5°, 10°, 15°, 20°, 25°, 30°)

Designer Series

J
JUNO LIGHTING GROUP
by Schneider Electric

¹ Add a -1 for 120V, a -2 for 277V

† Consult Factory for Availability