

# 8" Triple Tube Horizontal 1-Lamp Downlight

Designer Series

ENERGY EFFICIENT



**Electrical** Ballast: universal voltage, electronic solid state, class "P," HPF • Lamp holder: GX24q base, UV stabilized thermoplastic, 125° C temperature rating, 75W, 600V max

**Mechanical** Fixture housing is cold rolled steel with black baked enamel finish

**Mounting** Adjustable mounting brackets accept 1 1/2" "C" channel mounting bars • Indy Tru-Lock grid ceiling bar hangers are supplied standard • For non-accessible ceilings add suffix "825" for 28" "C" channel mounting bars • 3/4" maximum ceiling thickness. Trim collar is available for thicker ceilings; consult factory

**Lamp** Shown with one (1) triple tube compact fluorescent lamp (by others)

**Labels and Listings** UL/C-UL Listed for feed through and damp locations • I.B.E.W. Union made



## Description

Two-piece optical system maximizes lamp output while providing excellent glare control.

## Features

**Upper Reflector** Finish is specular clear Alzak® standard

**Lower Cone** Self-flanged, clear Alzak® (SACSF) satin cone with low iridescent finish is standard • Other Alzak® satin finishes are available; see options

## Ordering Information Example: FD28-26E-SACSF-825

Model	Lamp Wattage	Ballast	Trim Options	Options
FD28	26	E	SACSF	825
FD28	26 32 42	E-Electronic Universal Voltage	Alzak® Satin Finish Options SACSF-Clear CGCSF-Champagne Gold BACSF-Black PACSF-Pewter WTCSF-Wheat BRCSF-Bronze Painted Finish Options WHCF-White Cone	PF-Painted Flange Only (white) LD <sup>1</sup> -Dimming Ballast, Lutron Compact SE AD <sup>1</sup> -Dimming Ballast, Advance Mark 10™ D7-Dimming Ballast, Advance Mark 7™ BP-I-Emergency Battery Pack with Internal Test Switch (For remote test switch specify - BP) HP-I-High Lumen Emergency Battery Pack with Internal Test Switch (For remote test switch specify - HP) ***F-Fuse and Fuse Holder (Where *** = voltage) †CP-Chicago Plenum Approval 825-28" "C" Channel Mounting Bars (pair) †347-347 Volt

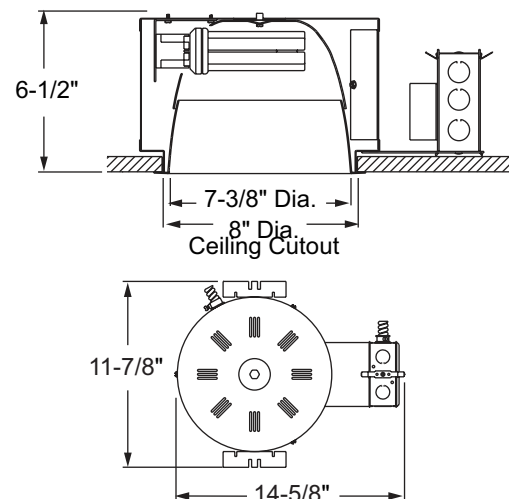
## Accessories

To specify, order as additional item.  
Example: SCA8-20

### SCA8-[\*]-Sloped Ceiling Adapter

(\*Angle must be specified when ordered; available in 5°, 10°, 15°, 20°, 25°, 30°)

## Dimensions



<sup>1</sup> Add a -1 for 120V, a -2 for 277V

† Consult Factory for Availability

Compact Fluorescent

Designer Series



JUNO LIGHTING GROUP  
by Schneider Electric