

PRODUCT SPECIFICATIONS

Optics

● **Reflector:** Self-flanged, clear Alzak® (SASF) satin reflector with low iridescent finish • Other Alzak® and painted finishes are available; see trim options

Electrical

● **Ballast:** Class "P" thermally protected 120/277V universal voltage high power factor electronic ballast with end of life protection

● **Lamp Holder:** 4-pin GX24q UV stabilized thermoplastic socket with non-fatiguing stainless steel lamp retention spring

Mechanical

● **Mounting Frame:** Heavy gauge steel lower housing ring with factory installed spring steel friction clips securely holds cones in ceiling
 • Accommodates ceilings up to 3/4" thick • Trim collar is available for thicker ceilings; consult factory

● **Mounting Bracket:** Mounting brackets have 3" vertical adjustment and accept 1 1/2" C-channel mounting bars • Indy TRU-LOCK bar hangers are supplied standard • For non-accessible ceilings specify '825' for 28" 'C' channel mounting bars • One-piece Tru-Lock bar hangers have integral T-bar locking screws and alignment notches for locating and locking fixture in the center or 1/4 tile increments

● **Junction Box:** Oversized 4" x 6" galvanized steel junction box with (6) 1/2" and (1) 3/4" knockouts facilitate quick wiring • Junction box rated for eight No. 12 AWG 90°C branch circuit conductors (4-in, 4-out)

Labels and Listings

UL/C-UL listed for feed through and damp locations • I.B.E.W. Union made

Product specifications subject to change without notice.

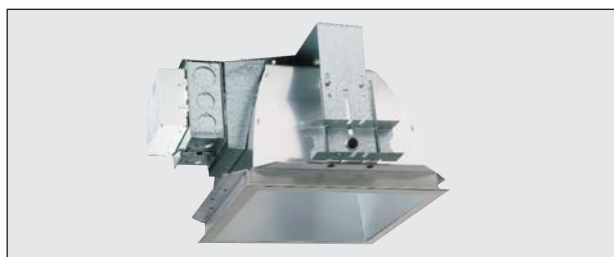
ENGINEERING DATA

Voltage	120V-HPF		277V-HPF		347V-HPF Canada	
	2x32	2x42	2x32	2x42	2x32	2x42
Lamp Wattage	68W	93W	68W	93W	62W	80W
Total input power	0.57	0.78	0.25	0.33	0.19	0.25
Operating AMPS	0.98	0.97	0.98	0.97	1.00	0.98
Ballast Factor						

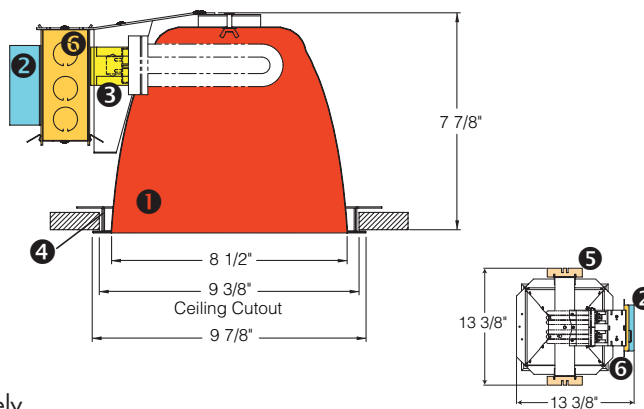
8" SQUARE TRIPLE TUBE HORIZONTAL 2-LAMP OPEN REFLECTOR DOWNLIGHT

32W, 42W
COMPACT FLUORESCENT
23SQ58

Type	Cat. No.
_____	_____
Project: _____	_____
Notes: _____	_____



DIMENSIONS



ORDERING INFORMATION: Accessories ordered separately.

Example: **23SQ58-42E-SASF-825**

Catalog#	Trim Options	Options
23SQ58-32E 32W Universal	Alzak® Satin Finish Options SASF Clear CGSF Champagne Gold	PF Painted Flange Only (White) LD¹ Dimming Ballast, Lutron Compact SE AD¹ Dimming Ballast, Advance Mark 10™ D7 Dimming Ballast, Advance Mark 7™ ‡BP 120/277V Emergency Battery Pack with Remote Test Switch ‡HP 120/277V High-Lumen Emergency Battery Pack with Remote Test Switch ***F Fuse and Fuse Holder (Where *** = voltage) ‡CP Chicago Plenum Approval 825 28" 'C' Channel Mounting Bars, Pair ‡347 347 Volt
23SQ58-42E 42W Universal	BASF Black PASF Pewter WTSF Wheat BRSF Bronze Painted Finish Options WHF White	

† Consult Factory for Availability
1/10

¹ Add a -1 for 120V, a -2 for 277V



1300 South Wolf Road • Des Plaines, Illinois 60018
 PHONE 800-367-5866 • FAX 888-708-6578
 www.junolightinggroup.com

**OPEN REFLECTOR DOWNLIGHT
(8" SQUARE TRIPLE TUBE)**

Catalog Number: 23SQ58-32E-SASF
PHOTOMETRIC REPORT

Test Number: LS113849

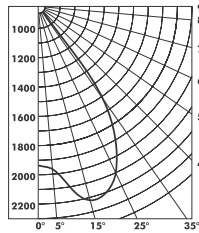
Total Luminaire Efficiency: 70.1%

Luminaire Spacing Criteria: 1.20

Luminaire: Specular Clear Alzak® Reflector. Open bottom.

Lamp: Two (2) Philips PL-T 32W/4p, each rated at 2400 lumens.

CIE-Type: Direct



Candlepower Distribution (Candelas)

Angle	Candela	Lumens
0°	1932	-
5°	1981	196
15°	2218	624
25°	2100	959
35°	1645	1002
45°	664	513
55°	38	55
65°	8	8
75°	5	5
85°	2	2

Initial Footcandles

Distance to Illuminated Plane (Feet)	Footcandles Beam Center	Footcandles Beam Edge	Beam Diameter
9'	24	6.0	15'
10'	19	4.9	17'
11'	16	4.0	19'
12'	13	3.4	20'
13'	11	2.9	22'
14'	10	2.5	24'
15'	9	2.2	26'
16'	8	1.9	27'
17'	7	1.7	29'
18'	6	1.5	31'

Luminaire Data

Ang in Deg	Footlamberts	Candela/M ²
45°	5873	20121
55°	415	1423
65°	119	406
75°	121	413
85°	142	488

Zonal Lumen Summary

Zone	Lumens	%Lamp	%Fixture
0-30°	1778	37.06	52.87
0-40°	2780	57.94	82.65
0-60°	3349	69.78	99.55
0-90°	3364	70.1	100.0
90-180°	0	0.0	0.0
0-180°	3364	70.1	100.0

AVERAGE INITIAL FOOTCANDLES

Reflectances: 80% Ceiling, 50% Walls, 20% Floors

Luminaire Spacing	Room Cavity Ratio		
	RCR1	RCR4	RCR8
5' x 5'	75	60	45
6' x 6'	52	42	31
7' x 7'	38	31	23
8' x 8'	29	24	18
9' x 9'	23	19	14
10' x 10'	19	15	11
11' x 11'	15	12	9
12' x 12'	13	11	8

$$RCR = \frac{5H(L+W)}{L \times W}$$

H = Height to work plane
L = Length of room
W = Width of room

COEFFICIENTS OF UTILIZATION - % (Zonal Cavity Method)

Effective Floor Reflectance 20%

RCC	80			70			50			30			10			0		
RW	70	50	30	10	70	50	30	10	50	30	10	50	30	10	0			
0	83	83	83	83	82	82	82	82	78	78	78	75	75	75	72	72	72	70
1	80	78	76	74	78	76	75	73	73	72	71	71	70	69	68	67	67	66
2	76	73	70	67	74	71	69	67	69	67	65	67	65	64	65	64	62	61
3	72	67	64	61	71	66	63	61	65	62	60	63	61	59	62	60	58	57
4	68	63	59	56	67	62	59	56	61	58	55	59	57	55	58	56	54	53
5	65	59	55	52	63	58	54	51	57	53	51	56	53	50	55	52	50	49
6	61	55	51	48	60	54	50	47	53	50	47	52	49	47	51	49	46	45
7	57	51	47	44	57	50	46	43	49	46	43	48	45	43	48	45	43	42
8	54	47	43	40	53	47	43	40	46	42	39	45	42	39	44	41	39	38
9	51	44	39	36	50	43	39	36	42	39	36	42	38	36	41	38	36	35
10	47	40	36	33	47	40	36	33	39	35	33	39	35	33	38	35	32	32

**OPEN REFLECTOR DOWNLIGHT
(8" SQUARE TRIPLE TUBE)**

Catalog Number: 23SQ58-42E-SASF
PHOTOMETRIC REPORT

Test Number: LS113848

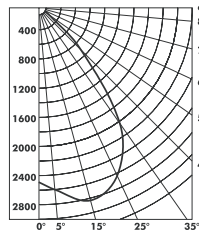
Total Luminaire Efficiency: 66.5%

Luminaire Spacing Criteria: 1.20

Luminaire: Specular Clear Alzak® Reflector. Open bottom.

Lamp: Two (2) Philips PL-T 42W/4p, each rated at 3200 lumens.

CIE-Type: Direct



Candlepower Distribution (Candelas)

Angle	Candela	Lumens
0°	2497	-
5°	2601	256
15°	2825	795
25°	2634	1201
35°	2060	1255
45°	857	660
55°	48	71
65°	11	12
75°	7	7
85°	2	2

Initial Footcandles

Distance to Illuminated Plane (Feet)	Footcandles Beam Center	Footcandles Beam Edge	Beam Diameter
9'	31	7.7	15'
10'	25	6.2	17'
11'	21	5.2	19'
12'	17	4.3	20'
13'	15	3.7	22'
14'	13	3.2	24'
15'	11	2.8	26'
16'	10	2.4	27'
17'	9	2.2	29'
18'	8	1.9	31'

Luminaire Data

Ang in Deg	Footlamberts	Candela/M ²
45°	7581	25970
55°	525	1798
65°	163	558
75°	169	579
85°	142	488

Zonal Lumen Summary

Zone	Lumens	%Lamp	%Fixture
0-30°	2250	35.17	52.86
0-40°	3506	54.79	82.34
0-60°	4237	66.21	99.51
0-90°	4258	66.54	100.0
90-180°	0	0.0	0.0
0-180°	4258	66.54	100.0

AVERAGE INITIAL FOOTCANDLES

Reflectances: 80% Ceiling, 50% Walls, 20% Floors

Luminaire Spacing	Room Cavity Ratio		
	RCR1	RCR4	RCR8
5' x 5'	95	77	58
6' x 6'	66	53	40
7' x 7'	48	39	29
8' x 8'	37	30	23
9' x 9'	29	24	18
10' x 10'	24	19	14
11' x 11'	20	16	12
12' x 12'	16	13	10

$$RCR = \frac{5H(L+W)}{L \times W}$$

H = Height to work plane
L = Length of room
W = Width of room

COEFFICIENTS OF UTILIZATION - % (Zonal Cavity Method)

Effective Floor Reflectance 20%

RCC	80			70			50			30			10			0		
RW	70	50	30	10	70	50	30	10	50	30	10	50	30	10	0			
0	79	79	79	79	77	77	77	77	74	74	74	71	71	71	68	68	68	67
1	76	74	72	71	74	72	71	69	70	68	67	67	66	65	65	64	63	62
2	72	69	66	64	71	68	65	63	65	64	62	64	62	61	62	61	59	58
3	68	64	61	58	67	63	60	58	62	59	57	60	58	56	58	57	55	54
4	65	60	56	54	64	59	56	53	58	55	53	56	54	52	55	53	51	50
5	61	56	52	49	60	55	51	49	54	51	48	53	50	48	52	50	47	47
6	58	52	48	45	57	52	48	45	50	47	45	50	47	44	49	46	44	43
7	55	48	44	41	54	48	44	41	47	43	41	46	43	41	45	43	40	39
8	51	45	41	38	51	44	40	38	44	40	37	43	40	37	42	39	37	36
9	48	41	37	34	47	41	37	34	40	37	34	40	36	34	39	36	34	33
10	45	38	34	31	44	38	34	31	37	34	31	37	33	31	36	33	31	30



indy

1300 South Wolf Road • Des Plaines, Illinois 60018 • PHONE 800-367-5866 • FAX 888-708-6578

Visit us at www.junolightinggroup.com

Printed in U.S.A. ©2010 Juno Lighting, LLC.