

**PRODUCT SPECIFICATIONS**

**Optics**

**Reflector:** Precision reflector with 50° visual cut-off to both lamp and lamp image • Single position optics eliminate possibility of specified lamp being installed in incorrect position • Low iridescent specular or satin Alzak® .050" thick reflector in clear, gold, wheat, pewter or bronze with integral flange of same finish; other finishes available upon request • Painted white flange is optional

**Baffle:** Specular clear Alzak® upper reflector and white or black painted deep multi-groove aluminum baffle insert with integral flange painted white

**Electrical**

**Ballast:** Class "P" thermally protected 120V-277V universal voltage high power factor electronic ballast with end of life protection

**Lamp Holder:** 4-pin GX24q3 UV stabilized thermoplastic socket with non-fatiguing stainless steel lamp retention spring

**Socket Cap:** Vented die-cast aluminum socket cup optimizes lamp performance and securely fastens to reflector with stabilizing ribs to prevent rocking

**Mechanical**

**Mounting Frame:** 16-gauge galvanized steel mounting ring with factory installed spring friction clips • Accommodates ceilings up to 3/4" thick; ceiling thickness adapter accessory is available for ceilings up to 2" • Common rough-in section accepts open, single wall wash and lensed reflectors

**Mounting Bracket:** Mounting brackets have 3" vertical adjustment and accept proprietary Tru-Lock bar hangers, 1 1/2" C-channel and flat linear bars (ordered as accessories) or 1/2" EMT, 3/4" and 1 1/2" lathing channel (by others) • One-piece Tru-Lock bar hangers have integral T-bar locking screws and alignment notches for locating and locking fixture in the center or 1/4 tile increments

**Junction Box:** Ballast mounted to J-box cover for optimal heat dissipation and serviceability from below the ceiling • Oversized 4"x 6" galvanized steel junction box with (6) 1/2" and (1) 3/4" knockouts facilitate quick wiring • Junction box rated for eight No. 12 AWG 90°C branch circuit conductors (4-in, 4-out)

**Labels and Listings**

UL/C-UL listed for feed through and damp locations • I.B.E.W. Union made

Product specifications subject to change without notice.

**ENGINEERING DATA**

Voltage	120V-HPF		277V-HPF		347V-HPF Canada	
Lamp Wattage	26W	32W	26W	32W	26W	32W
Total input power	27W	36W	27W	36W	31W	36W
Operating AMPS	0.23	0.31	0.10	0.13	0.09	0.11
Ballast factor	1.00	0.98	1.00	0.98	1.02	0.98

**6" VERTICAL CFL DOWNLIGHT**

OPEN APERTURE

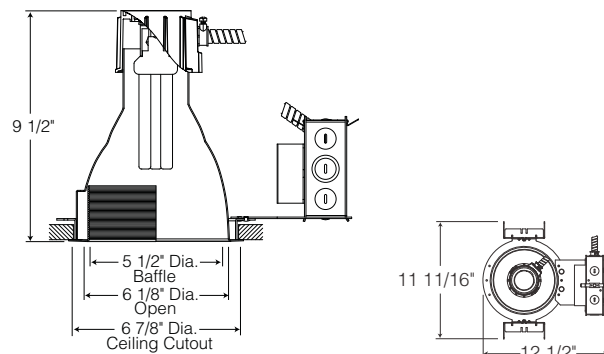
One 26W or 32W Triple Tube

**C6V-126/42T**

C600, C600B

Type	Cat. No.
_____	_____
_____	_____
Project:	_____
Notes:	_____

**DIMENSIONS**



**ORDERING INFORMATION:** Rough-in, reflector and accessories each ordered separately.

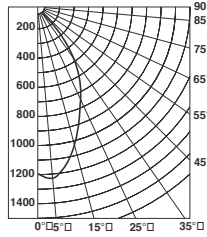
Example: C6V-126/42T-BR			Example: C600-CL				Example: HB-TL
Rough-In	Wattage/Lamp	Options	Reflector	Color Options	Finish	Options	Accessories
C6V-	126/42T-						
C6V	126/42T 1x26W or 32W Triple, 4-pin	<b>347</b> 347 Volt <b>BR</b> Emergency Battery Back-up w/Remote Switch <b>BN</b> Emergency Battery Back-up w/Integral Test Switch <b>HR</b> High-Lumen Emergency Battery Back-up with Remote Switch <b>HN</b> High-Lumen Emergency Battery Back-up with Integral Test Switch <b>D10<sup>1</sup></b> Dimming Ballast Advance Mark 10™ <b>D7</b> Dimming Ballast Advance Mark 7™ <b>DL<sup>1,2</sup></b> Dimming Ballast Lutron Compact SE <b>***F</b> Fuse and Fuse Holder (Where *** = voltage) <b>CP</b> Chicago Plenum <b>NV</b> Non-vented Socket Cup	<b>C600</b> Open Reflector <b>C600B</b> Baffle <b>C</b> Clear <b>G</b> Gold <b>WT</b> Wheat <b>PT</b> Pewter <b>BZ</b> Bronze <b>B</b> Black <b>W</b> White	<b>Low Iridescent Alzak® Finishes:</b> <b>L</b> Specular <b>S</b> Satin Blank for baffle & white	<b>WH</b> White Flange <b>MAX##</b> Label for maximum wattage (where ## = wattage) <b>BN</b> Hole for emergency test switch	<b>HB-TL</b> 25" Tru-Lock grid ceiling bar hangers, Pair <b>HB-52</b> 52" C-Channel Bar Hangers, Pair <b>HB-28</b> 28" C-Channel Bar Hangers, Pair <b>LB-27</b> 27" Linear Bar Hangers, Pair <b>HB-4</b> Bar Hanger conversion kit for wooden joists <b>SCA6-*</b> Sloped Ceiling Adapter *Angle must be specified when ordering; Available in 5°, 10°, 15°, 20°, 25°, 30° Example: SCA6-20	

<sup>1</sup> Add a -1 for 120V, a -2 for 277V  
<sup>2</sup> Lutron Dimming Ballast is wattage specific.  
 26W/120V = C6V-126T-DL-1  
 26W/277V = C6V-126T-DL-2  
 32W/120V = C6V-132T-DL-1  
 32W/277V = C6V-132T-DL-2



**OPEN REFLECTOR (32W TRIPLE TUBE)**

**Catalog Number:** C6V-126/42T (C600-CL)  
**PHOTOMETRIC REPORT**  
**Test Number:** PR03060601  
**Total Luminaire Efficiency:** 50.1%  
**Luminaire Spacing Criteria:** 0.87  
**Luminaire:** Clear specular Alzak® reflector. Open bottom.  
**Lamps:** One OSI CF320T/E/IN/830, rated at 2450 lumens.  
**CIE-Type:** Direct



**Candlepower Distribution (Candelas)**

Angle	Candela	Lumens
0°	1188	
5°	1223	117
15°	999	283
25°	722	334
35°	496	311
45°	198	153
55°	3	2
65°	0	0
75°	2	2
85°	0	0

**Initial Footcandles**

Distance to Illuminated Plane (Feet)	Footcandles Beam Center	Footcandles Beam Edge	Beam Diameter
6'	33.0	10.9	7.0'
7'	24.2	8.0	8.2'
8'	18.6	6.2	9.3'
9'	14.7	4.9	10.5'
10'	11.9	3.9	11.7'
11'	9.8	3.3	12.8'
12'	8.3	2.7	14.0'
13'	7.0	2.3	15.2'
14'	6.1	2.0	16.3'
15'	5.3	1.8	17.5'

**Luminaire Data**

Ang in Deg	Footlamberts	Candela/M <sup>2</sup>
45	4477	15341
55	71	244
65	0	0
75	137	469
85	0	0

**Zonal Lumen Summary**

Zone	Lumens	%Lamp	%Fixture
0-30°	734	30.6	61.0
0-40°	1046	43.6	86.9
0-60°	1201	50.0	99.8
0-90°	1203	50.1	100.0
90-180°	0	0.0	0.0
0-180°	1203	50.1	100.0

**AVERAGE INITIAL FOOTCANDLES**

Reflectances: 80% Ceiling, 50% Walls, 30% Floors

Luminaire Spacing	Room Cavity Ratio			
	RCR1	RCR4	RCR8	
5' x 5'	53	42	33	
6' x 6'	37	29	23	
7' x 7'	27	22	17	
8' x 8'	21	17	13	
9' x 9'	16	13	10	
10' x 10'	13	11	8	
11' x 11'	11	9	7	
12' x 12'	9	7	6	

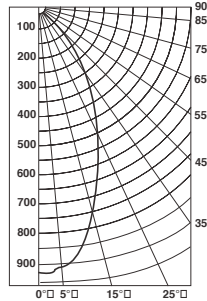
**COEFFICIENTS OF UTILIZATION - % (Zonal Cavity Method)**

Effective Floor Reflectance 20%

PCC	80		70		50		30		10		0							
	PW	70	50	30	10	70	50	30	10	50	30	10	0					
0	60	60	60	60	58	58	58	58	56	56	56	53	53	53	51	51	51	50
1	57	55	54	53	56	54	53	52	52	51	50	50	50	49	49	48	48	47
2	54	51	49	47	53	50	48	47	49	47	46	47	46	45	46	45	44	43
3	51	48	45	43	50	47	44	42	45	43	42	44	43	41	43	42	40	40
4	48	44	41	39	47	44	41	39	42	40	38	41	39	38	40	39	37	37
5	45	41	38	36	45	41	38	36	40	37	35	39	37	35	38	36	35	34
6	43	38	35	33	42	38	35	33	37	34	33	36	34	32	36	34	32	31
7	41	36	33	30	40	35	32	30	35	32	30	34	32	30	34	31	30	29
8	39	34	30	28	38	33	30	28	33	30	28	32	30	28	32	29	28	27
9	37	31	28	26	36	31	28	26	31	28	26	30	28	26	30	28	26	25
10	35	30	27	24	34	29	26	24	29	26	24	29	26	24	28	26	24	24

**OPEN BAFFLE (32W TRIPLE TUBE)**

**Catalog Number:** C6V-126/42T (C600B-B)  
**PHOTOMETRIC REPORT**  
**Test Number:** PR05060901  
**Total Luminaire Efficiency:** 34.4%  
**Luminaire Spacing Criteria:** 0.82  
**Luminaire:** Clear specular Alzak® upper reflector with black baffle lower cone. Open bottom.  
**Lamps:** One OSI CF320T/E/IN/830, rated at 2400 lumens.  
**CIE-Type:** Direct



**Candlepower Distribution (Candelas)**

Angle	Candela	Lumens
0°	932	
5°	925	88
15°	758	215
25°	519	240
35°	311	195
45°	101	78
55°	2	2
65°	0	0
75°	3	3
85°	3	4

**Initial Footcandles**

Distance to Illuminated Plane (Feet)	Footcandles Beam Center	Footcandles Beam Edge	Beam Diameter
6'	25.9	9.2	6.2'
7'	19.0	6.8	7.2'
8'	14.6	5.2	8.3'
9'	11.5	4.1	9.3'
10'	9.3	3.3	10.3'
11'	7.7	2.7	11.4'
12'	6.5	2.3	12.4'
13'	5.5	2.0	13.5'
14'	4.8	1.7	14.5'
15'	4.1	1.5	15.5'

**Luminaire Data**

Ang in Deg	Footlamberts	Candela/M <sup>2</sup>
45	2280	7813
55	60	206
65	0	0
75	165	566
85	642	2200

**Zonal Lumen Summary**

Zone	Lumens	%Lamp	%Fixture
0-30°	544	22.6	65.8
0-40°	739	30.8	89.5
0-60°	819	34.1	99.2
0-90°	826	34.4	100.0
90-180°	0	0.0	0.0
0-180°	826	34.4	100.0

**AVERAGE INITIAL FOOTCANDLES**

Reflectances: 80% Ceiling, 50% Walls, 30% Floors

Luminaire Spacing	Room Cavity Ratio			
	RCR1	RCR4	RCR8	
5' x 5'	36	30	23	
6' x 6'	25	21	16	
7' x 7'	19	15	12	
8' x 8'	14	12	9	
9' x 9'	11	9	7	
10' x 10'	9	7	6	
11' x 11'	8	6	5	
12' x 12'	6	5	4	

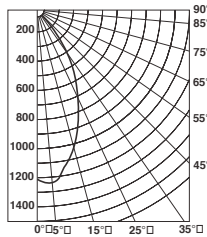
**COEFFICIENTS OF UTILIZATION - % (Zonal Cavity Method)**

Effective Floor Reflectance 20%

PCC	80		70		50		30		10		0							
	PW	70	50	30	10	70	50	30	10	50	30	10	0					
0	41	41	41	41	40	40	40	40	38	38	38	37	37	37	35	35	35	34
1	39	38	37	36	38	37	36	36	36	35	35	35	34	34	33	33	33	32
2	37	35	34	33	36	35	33	32	34	32	32	32	31	31	32	31	30	30
3	35	33	31	30	34	32	31	29	31	30	29	31	29	28	30	29	28	27
4	33	31	29	27	33	30	28	27	29	28	27	29	27	26	28	27	26	25
5	31	29	26	25	31	28	26	25	28	26	25	27	26	24	26	25	24	24
6	30	27	25	23	29	26	24	23	26	24	23	25	24	23	25	24	23	22
7	28	25	23	21	28	25	23	21	24	23	21	24	22	21	24	22	21	21
8	27	24	21	20	26	23	21	20	23	21	20	23	21	20	22	21	20	19
9	26	22	20	19	25	22	20	19	22	20	19	21	20	19	21	20	18	18
10	24	21	19	18	24	21	19	18	21	19	17	20	19	17	20	18	17	17

**OPEN REFLECTOR (26W TRIPLE TUBE)**

**Catalog Number:** C6V-126/42T (C600-CL)  
**PHOTOMETRIC REPORT**  
**Test Number:** PR03060101  
**Total Luminaire Efficiency:** 58.9%  
**Luminaire Spacing Criteria:** 0.84  
**Luminaire:** Clear specular Alzak® reflector. Open bottom.  
**Lamps:** One OSI CF260T/E/IN/830, rated at 1800 lumens.  
**CIE-Type:** Direct



**Candlepower Distribution (Candelas)**

Angle	Candela	Lumens
0°	1212	
5°	1226	117
15°	1019	289
25°	690	320
35°	371	233
45°	132	102
55°	0	0
65°	0	0
75°	0	0
85°	0	0

**Initial Footcandles**

Distance to Illuminated Plane (Feet)	Footcandles Beam Center	Footcandles Beam Edge	Beam Diameter
6'	33.7	11.9	6.2'
7'	24.7	8.8	7.3'
8'	18.9	6.7	8.3'
9'	15.0	5.3	9.4'
10'	12.1	4.3	10.4'
11'	10.0	3.6	11.4'
12'	8.4	3.0	12.5'
13'	7.2	2.5	13.5'
14'	6.2	2.2	14.6'
15'	5.4	1.9	15.6'

**Luminaire Data**

Ang in Deg	Footlamberts	Candela/M <sup>2</sup>
45	2989	10240
55	0	0
65	0	0
75	0	0
85	0	0

**Zonal Lumen Summary**

Zone	Lumens	%Lamp	%Fixture
0-30°	725	40.3	68.4
0-40°	959	53.3	90.4
0-60°	1061	58.9	100.0
0-90°	1061	58.9	100.0
90-180°	0	0.00	0.00
0-180°	1061	58.9	100.0

**AVERAGE INITIAL FOOTCANDLES**

Reflectances: 80% Ceiling, 50% Walls, 30% Floors

Luminaire Spacing	Room Cavity Ratio			
	RCR1	RCR4	RCR8	
5' x 5'	47	38	30	
6' x 6'	33	27	21	
7' x 7'	24	19	15	
8' x 8'	18	15	12	
9' x 9'	14	12	9	
10' x 10'	12	10	7	
11' x 11'	10	8	6	
12' x 12'	8	7	5	

**COEFFICIENTS OF UTILIZATION - % (Zonal Cavity Method)**

Effective Floor Reflectance 20%

PCC	80		70		50		30		10		0							
	PW	70	50	30	10	70	50	30	10	50	30	10	0					
0	70	70	70	70	69	69	69	69	65	65	65	63	63	63	60	60	60	59
1	67	65	64	63	65	64	63	62	61	61	60	59	59	58	57	57	56	55
2	64	61	58	56	62	60	58	56	58	56	55	56	55	53	54	53	52	51
3	60	57	54	51	59	56	53	51	54	52	50	53	51	49	51	50	49	48
4	57	53	50	47	56	52	49	47	51	48	46	50	48	46	49	47	45	44
5	54	49	46	43	53	49	46	43	48	45	43	47	44	42	46	44	42	41
6	52	46	43	40	51	46	43	40	45	42	40	44	42	40	43	41	39	38
7	49	44	40	37	48	43	40	37	42	39	37	42	39	37	41	39		