

PRODUCT SPECIFICATIONS

Optics

Reflector: Precision reflector with 55° visual cut-off to both lamp and lamp image • Single position optics eliminate possibility of specified lamp being installed in incorrect position • Low iridescent specular or satin Alzak® .050" thick reflector in clear, gold, wheat, pewter or bronze with integral flange of same finish; other finishes available upon request • Painted white flange is optional • V-Flux Miro® specular insert increases efficiency of horizontal CFL models without sacrificing brightness control

Baffle: Specular clear Alzak® upper reflector and white or black painted deep multi-groove aluminum baffle insert with integral flange painted white

Electrical

Ballast: Class "P" thermally protected 120V-277V universal voltage high power factor electronic ballast with end of life protection

Lamp Holder: 4-pin GX24q UV stabilized thermoplastic socket with non-fatiguing stainless steel lamp retention spring

Mechanical

Socket Housing: Heavy gauge die-formed galvanized steel

Mounting Frame: 16-gauge galvanized steel mounting ring with factory installed spring steel friction clips • Accommodates ceilings up to 3/4" thick; ceiling thickness adapter accessory is available for ceilings up to 2" • Common rough-in section accepts open, single wall wash and lensed reflectors

Mounting Bracket: Mounting brackets have 3" vertical adjustment and accept proprietary Tru-Lock bar hangers, 1 1/2" C-channel and flat linear bars (ordered as accessories) or 1/2" EMT, 3/4" and 1 1/2" lathing channel (by others) • One-piece Tru-Lock bar hangers have integral T-bar locking screws and alignment notches for locating and locking fixture in the center or 1/4 tile increments

Junction Box: Ballast mounted to J-box cover for optimal heat dissipation and serviceability from below the ceiling • Oversized 4"x 6" galvanized steel junction box with (6) 1/2" and (1) 3/4" knockouts facilitate quick wiring • Junction box rated for eight No. 12 AWG 90°C branch circuit conductors (4-in, 4-out)

Labels and Listings

UL/C-UL listed for feed through and damp locations • I.B.E.W. Union made

Product specifications subject to change without notice.

ENGINEERING DATA

Voltage	120V-HPF	277V-HPF	347V-HPF Canada
Lamp Wattage	1x26 2x26 1x32 2x32 1x42 2x42	1x26 2x26 1x32 2x32 1x42 2x42	1x26 2x26 1x32 2x32 1x42 2x42
Total input power	27W 51W 36W 68W 46W 93W	27W 51W 36W 68W 46W 93W	31W 57W 36W 62W 50W 80W
Operating AMPS	0.23 0.43 0.31 0.57 0.38 0.78	0.10 0.19 0.13 0.25 0.17 0.33	0.09 0.17 0.11 0.19 0.15 0.25
Ballast factor	1.00 1.00 0.98 0.98 0.98 0.97	1.00 1.00 0.98 0.98 0.98 0.97	1.02 0.98 0.98 1.00 1.00 0.98

8" HORIZONTAL CFL DOWNLIGHT

OPEN APERTURE

TWO 26, 32 or 42W Triple Tube

C8H-226/42T

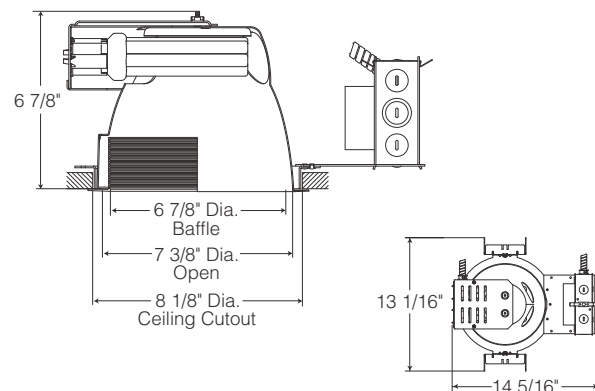
ONE 26, 32 or 42W Triple Tube

C8H-126/42T

C850, C852, C850B-T, C852B-T

Type	Cat. No.
_____	_____
_____	_____
Project: _____	_____
Notes: _____	_____

DIMENSIONS



ORDERING INFORMATION: Rough-in, reflector and accessories each ordered separately.

Example: C8H-126/42T-BR			Example: C850-CL				Example: HB-TL
Rough-In	Wattage/Lamp	Options	Reflector	Color Options	Finish	Options	Accessories
C8H-	-	-	-	-	-	-	-
C8H	126/42T 1x26W, 32W or 42W Triple, 4-Pin 226/42T 2x26W, 32W or 42W Triple, 4-Pin	347 347 Volt BR Emergency Battery Back-up w/Remote Switch BN Emergency Battery Back-up w/Integral Test Switch HR High-Lumen Emergency Battery Back-up with Remote Switch HN High-Lumen Emergency Battery Back-up with Integral Test Switch D10 ¹ Dimming Ballast Advance Mark 10™ D7 Dimming Ballast Advance Mark 7™ DL ^{1,2} Dimming Ballast Lutron Compact SE ***F Fuse and Fuse Holder (Where *** = voltage) 2S Dual Level Switching CP Chicago Plenum	C850 Open Reflector, 1-Lamp C852 Open Reflector, 2-Lamp C850B-T Baffle, 1-Lamp C852B-T Baffle, 2-Lamp	C Clear G Gold WT Wheat PT Pewter BZ Bronze B Black W White	Low Iridescent Alzak® Finishes: L Specular S Satin Blank for baffle & white	WH White Flange MAX## Label for maximum wattage (where ## = wattage) BN Hole for emergency test switch	HB-TL 25" Tru-Lock grid ceiling bar hangers, Pair HB-52 52" C-Channel Bar Hangers, Pair HB-28 28" C-Channel Bar Hangers, Pair LB-27 27" Linear Bar Hangers, Pair HB-4 Bar Hanger conversion kit for wooden joists SCA8-* Sloped Ceiling Adapter *Angle must be specified when ordering; Available in 5°, 10°, 15°, 20°, 25°, 30° Example: SCA8-20

¹ Add a -1 for 120V, a -2 for 277V

² Lutron Dimming Ballast is wattage specific. 26W/120V = C8H-126T-DL-1

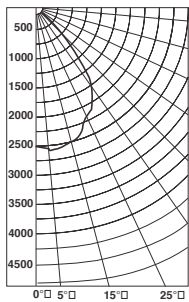


1300 South Wolf Road • Des Plaines, Illinois 60018
PHONE 800-367-5866 • FAX 888-708-6578

www.junolightinggroup.com

OPEN REFLECTOR (2X42W TRIPLE TUBE)

Catalog Number: C8H-226/42T (C852-CL)
 PHOTOMETRIC REPORT
 Test Number: PR05061899
 Total Luminaire Efficiency: 56.5%
 Luminaire Spacing Criteria: 1.15
 Luminaire: Clear specular Alzak® reflector. Open bottom.
 Lamps: Two CF42D1/E/IN/827, rated at 6400 total lumens.
 CIE-Type: Direct



Candlepower Distribution (Candelas)

Angle	Candela	Lumens
0°	2509	
5°	2569	245
15°	2468	700
25°	2134	987
35°	1631	1024
45°	770	597
55°	66	59
65°	4	4
75°	0	0
85°	0	0

Initial Footcandles

Distance to Illuminated Plane (Feet)	Footcandles Beam Center	Footcandles Beam Edge	Beam Diameter
6'	69.7	17.1	9.6'
7'	51.2	12.6	11.2'
8'	39.2	9.6	12.8'
9'	31.0	7.6	14.4'
10'	25.1	6.2	15.9'
11'	20.7	5.1	17.5'
12'	17.4	4.3	19.1'
13'	14.8	3.6	20.7'
14'	12.8	3.1	22.3'
15'	11.2	2.7	23.9'

Luminaire Data

Ang in Deg	Footlamberts	Candela/M ²
45	11155	38221
55	1172	4016
65	88	301
75	0	0
85	0	0

Zonal Lumen Summary

Zone	Lumens	%Lamp	%Fixture
0-30°	1932	30.2	53.4
0-40°	2957	46.2	81.8
0-60°	3612	56.4	99.9
0-90°	3616	56.5	100.0
90-180°	0	0.0	0.0
0-180°	3616	56.5	100.0

AVERAGE INITIAL FOOTCANDLES

Reflectances: 80% Ceiling, 50% Walls, 30% Floors

Luminaire Spacing	Room Cavity Ratio			
	RCR1	RCR4	RCR8	
5' x 5'	159	123	92	
6' x 6'	110	85	64	
7' x 7'	81	63	47	
8' x 8'	62	48	36	
9' x 9'	49	38	28	
10' x 10'	40	31	23	
11' x 11'	33	25	19	
12' x 12'	28	21	16	

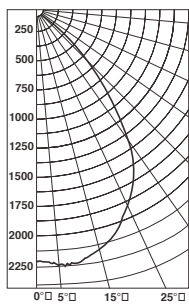
COEFFICIENTS OF UTILIZATION - % (Zonal Cavity Method)

Effective Floor Reflectance 20%

PCC	80		70		50		30		10		0							
	PW	70	50	30	10	70	50	30	10	50	30	10	0					
0	67	67	67	67	66	66	66	66	63	63	63	60	60	60	58	58	58	56
1	64	62	61	59	62	61	59	58	59	57	56	56	55	54	54	53	52	
2	60	57	55	52	59	56	54	52	54	52	51	53	51	50	51	50	49	48
3	57	53	49	47	55	52	49	47	50	48	46	49	47	45	48	46	44	43
4	53	48	45	42	52	48	45	42	47	44	42	45	43	41	44	42	41	40
5	50	45	41	38	49	44	41	38	43	40	38	42	40	37	41	39	37	36
6	47	41	38	35	46	41	37	35	40	37	35	39	36	34	38	36	34	33
7	44	38	35	32	43	38	34	32	37	34	32	37	34	31	36	33	31	30
8	42	36	32	29	41	35	32	29	35	31	29	34	31	29	33	31	29	28
9	39	33	30	27	39	33	29	27	32	29	27	32	29	27	31	29	27	26
10	37	31	27	25	37	31	27	25	30	27	25	30	27	25	29	27	25	24

OPEN REFLECTOR (2X32W TRIPLE TUBE)

Catalog Number: C8H-226/42T (C852-CL)
 PHOTOMETRIC REPORT
 Test Number: PR04062799
 Total Luminaire Efficiency: 65.8%
 Luminaire Spacing Criteria: 1.14
 Luminaire: Clear specular Alzak® reflector. Open bottom.
 Lamps: Two CF32D1/E/IN/840, rated at 4800 total lumens.
 CIE-Type: Direct



Candlepower Distribution (Candelas)

Angle	Candela	Lumens
0°	2192	
5°	2243	214
15°	2148	609
25°	1860	861
35°	1416	890
45°	665	515
55°	56	50
65°	13	13
75°	5	6
85°	2	3

Initial Footcandles

Distance to Illuminated Plane (Feet)	Footcandles Beam Center	Footcandles Beam Edge	Beam Diameter
6'	60.9	15.0	9.6'
7'	44.7	11.0	11.2'
8'	34.3	8.4	12.7'
9'	27.1	6.7	14.3'
10'	21.9	5.4	15.9'
11'	18.1	4.5	17.5'
12'	15.2	3.7	19.1'
13'	13.0	3.2	20.7'
14'	11.2	2.8	22.3'
15'	9.7	2.4	23.9'

Luminaire Data

Ang in Deg	Footlamberts	Candela/M ²
45	9958	34117
55	1028	3522
65	327	1119
75	219	749
85	292	1000

Zonal Lumen Summary

Zone	Lumens	%Lamp	%Fixture
0-30°	1684	35.1	53.3
0-40°	2573	53.6	81.5
0-60°	3138	65.4	99.3
0-90°	3159	65.8	100.0
90-180°	0	0.0	0.0
0-180°	3159	65.8	100.0

AVERAGE INITIAL FOOTCANDLES

Reflectances: 80% Ceiling, 50% Walls, 30% Floors

Luminaire Spacing	Room Cavity Ratio			
	RCR1	RCR4	RCR8	
5' x 5'	138	108	79	
6' x 6'	96	75	55	
7' x 7'	71	55	40	
8' x 8'	54	42	31	
9' x 9'	43	33	24	
10' x 10'	35	27	20	
11' x 11'	29	22	16	
12' x 12'	24	19	14	

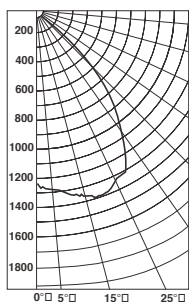
COEFFICIENTS OF UTILIZATION - % (Zonal Cavity Method)

Effective Floor Reflectance 20%

PCC	80		70		50		30		10		0							
	PW	70	50	30	10	70	50	30	10	50	30	10	0					
0	78	78	78	78	77	77	77	77	73	73	73	70	70	70	67	67	67	66
1	74	72	70	69	73	71	69	68	68	67	66	66	65	64	63	63	62	61
2	70	66	63	61	69	65	63	60	63	61	59	61	59	58	59	58	56	55
3	66	61	57	55	64	60	57	54	58	56	53	57	54	52	55	53	52	50
4	62	56	52	49	61	56	52	49	54	51	48	53	50	48	51	49	47	46
5	58	52	48	44	57	51	47	44	50	47	44	49	46	43	48	45	43	42
6	55	48	44	40	54	48	43	40	46	42	40	46	42	40	45	42	39	38
7	51	45	40	37	51	44	40	37	43	39	37	42	39	36	42	39	36	35
8	49	41	37	34	48	41	37	34	40	36	34	40	36	34	39	36	33	32
9	46	39	34	31	45	38	34	31	38	34	31	37	34	31	36	33	31	30
10	43	36	32	29	43	36	32	29	35	31	29	35	31	29	34	31	29	28

OPEN REFLECTOR (1X42W TRIPLE TUBE)

Catalog Number: C8H-126/42T (C850-CL)
 PHOTOMETRIC REPORT
 Test Number: PR04062899
 Total Luminaire Efficiency: 71.1%
 Luminaire Spacing Criteria: 1.28
 Luminaire: Clear specular Alzak® reflector. Open bottom.
 Lamps: One CF42D1/E/840, rated at 3200 lumens.
 CIE-Type: Direct



Candlepower Distribution (Candelas)

Angle	Candela	Lumens
0°	1238	
5°	1279	122
15°	1369	388
25°	1337	619
35°	1046	657
45°	583	452
55°	41	37
65°	0	0
75°	0	0
85°	0	0

Initial Footcandles

Distance to Illuminated Plane (Feet)	Footcandles Beam Center	Footcandles Beam Edge	Beam Diameter
6'	34.4	7.5	11.3'
7'	25.3	5.5	13.1'
8'	19.3	4.2	15.0'
9'	15.3	3.3	16.9'
10'	12.4	2.7	18.8'
11'	10.2	2.2	20.7'
12'	8.6	1.9	22.5'
13'	7.3	1.6	24.4'
14'	6.3	1.4	26.3'
15'	5.5	1.2	28.2'

Luminaire Data

Ang in Deg	Footlamberts	Candela/M ²
45	8733	29923
55	757	2594
65	0	0
75	0	0
85	0	0

Zonal Lumen Summary

Zone	Lumens	%Lamp	%Fixture
0-30°	1129	35.3	49.6
0-40°	1786	55.8	78.5
0-60°	2275	71.1	100.0
0-90°	2275	71.1	100.0
90-180°	0	0.00	0.00
0-180°	2275	71.1	100.0

AVERAGE INITIAL FOOTCANDLES

Reflectances: 80% Ceiling, 50% Walls, 30% Floors

Luminaire Spacing	Room Cavity Ratio			
	RCR1	RCR4	RCR8	
5' x 5'	100	77	56	
6' x 6'	69	53	39	
7' x 7'	51	39	29	
8' x 8'	39	30	22	
9' x 9'	31	24	17	
10' x 10'	25	19	14	
11' x 11'	21	16	12	
12' x 12'	17	13	10	

COEFFICIENTS OF UTILIZATION - % (Zonal Cavity Method)

Effective Floor Reflectance 20%

PCC	80		70		50		30		10		0							
	PW	70	50	30	10	70	50	30	10	50	30	10	0					
0	85	85	85	85	83	83	83	83	79	79	79	76	76	76	73	73	73	71
1	80	78	76	74	78	76	75	73	73	72	71	71	70	69	68	67	67	65
2	75	71	68	65	74	70	67	65	68	65	63	66	64	62	64	62	61	59
3	71	66	62	58	69	65	61	58	63	59	57	61	58	56	59	57	55	54
4	66	60	56	52	65	59	55	52	58	54	51	56	53	51	55	52	50	49
5	62	55	51	47	61	55	50	47	53	49	46	52	49	46	51	48	46	44
6	58	51	46	43	57	50	46	42	49	45								