

## PRODUCT SPECIFICATIONS

### Optics

**Reflector:** Precision reflector with 55° visual cut-off to both lamp and lamp image • Single position optics eliminate possibility of specified lamp being installed in incorrect position • Low iridescent specular or satin Alzak® .050" thick reflector in clear, gold, wheat, pewter or bronze with integral flange of same finish; other finishes available upon request • Painted white flange is optional • V-Flux Miro® specular insert increases efficiency of horizontal CFL models without sacrificing brightness control

**Baffle:** Specular clear Alzak® upper reflector and white or black painted deep multi-groove aluminum baffle insert with integral flange painted white

### Electrical

**Ballast:** Class "P" thermally protected 120V-277V universal voltage high power factor electronic ballast with end of life protection

**Lamp Holder:** 4-pin G24q UV stabilized thermoplastic socket with non-fatiguing stainless steel lamp retention spring

### Mechanical

**Socket Housing:** Heavy gauge die-formed galvanized steel

**Mounting Frame:** 16-gauge galvanized steel mounting ring with factory installed spring steel friction clips • Accommodates ceilings up to 3/4" thick; ceiling thickness adapter accessory is available for ceilings up to 2"

• Common rough-in section accepts open, single wall wash and lensed reflectors

**Mounting Bracket:** Mounting brackets have 3" vertical adjustment and accept proprietary Tru-Lock bar hangers, 1 1/2" C-channel and flat linear bars (ordered as accessories) or 1/2" EMT, 3/4" and 1 1/2" lathing channel (by others) • One-piece Tru-Lock bar hangers have integral T-bar locking screws and alignment notches for locating and locking fixture in the center or 1/4 tile increments

**Junction Box:** Ballast mounted to J-box cover for optimal heat dissipation and serviceability from below the ceiling • Oversized 4"x 6" galvanized steel junction box with (6) 1/2" and (1) 3/4" knockouts facilitate quick wiring • Junction box rated for eight No. 12 AWG 90°C branch circuit conductors (4-in, 4-out)

### Labels and Listings

UL/C-UL listed for feed through and damp locations • I.B.E.W. Union made

Product specifications subject to change without notice.

## ENGINEERING DATA

Voltage	120V-HPF				277V-HPF				347V-HPF Canada			
	1x18	2x18	1x26	2x26	1x18	2x18	1x26	2x26	1x18	2x18	1x26	2x26
Total input power	19W	35W	27W	51W	19W	35W	27W	51W	21W	38W	31W	57W
Operating AMPS	0.16	0.07	0.23	0.43	0.07	0.13	0.10	0.19	0.11	0.06	0.09	0.17
Ballast factor	1.00	0.95	1.00	1.00	1.00	0.95	1.00	1.00	1.00	0.98	1.02	0.98

## 8" HORIZONTAL CFL DOWNLIGHT

OPEN APERTURE

TWO 18 or 26W Quad Tube

**C8H-218Q, C8H-226Q**

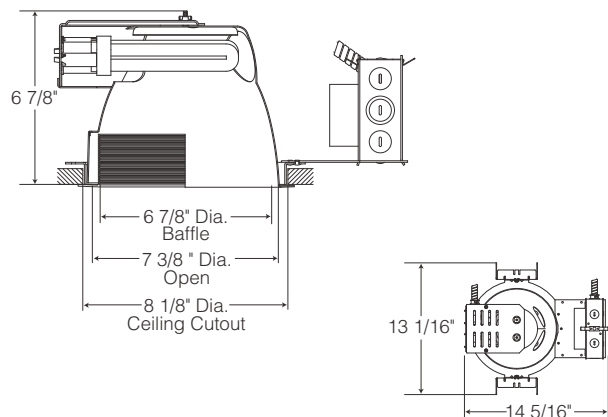
ONE 18 or 26W Quad Tube

**C8H-118Q, C8H-126Q**

C850, C852, C850B-Q, C852B-Q

Type	Cat. No.
_____	_____
_____	_____
Project: _____	
Notes: _____	

## DIMENSIONS



## ORDERING INFORMATION: Rough-in, reflector and accessories each ordered separately.

Example: C8H-226Q-BR			Example: C852B-Q-B				Example: HB-TL	
Rough-In	Wattage/Lamp	Options	Reflector	Color Options	Finish	Options	Accessories	
<b>C8H-</b>	-	-						
<b>C8H</b>	<b>118Q</b> 1x18W Quad, 4-Pin <b>218Q</b> 2x18W Quad, 4-Pin <b>126Q</b> 1x26W Quad, 4-Pin <b>226Q</b> 2x26W Quad, 4-Pin	<b>347</b> 347 Volt <b>BR</b> Emergency Battery Back-up w/Remote Switch <b>BN</b> Emergency Battery Back-up w/Integral Test Switch <b>HR</b> High-Lumen Emergency Battery Back-up with Remote Switch <b>HN</b> High-Lumen Emergency Battery Back-up with Integral Test Switch <b>D10</b> Dimming Ballast Advance Mark 10™ <b>D7</b> Dimming Ballast Advance Mark 7™ <b>DL</b> Dimming Ballast Lutron Compact SE <b>***F</b> Fuse and Fuse Holder (Where *** = voltage) <b>2S</b> Dual Level Switching <b>CP</b> Chicago Plenum	<b>C850</b> Open Reflector, 1-Lamp <b>C852</b> Open Reflector, 2-Lamp <b>C850B-Q</b> Baffle, 1-Lamp <b>C852B-Q</b> Baffle, 2-Lamp	<b>C</b> Clear <b>G</b> Gold <b>WT</b> Wheat <b>PT</b> Pewter <b>BZ</b> Bronze <b>B</b> Black <b>W</b> White	<b>Low Iridescent Alzak® Finishes:</b> <b>L</b> Specular <b>S</b> Satin Blank for baffle & white	<b>WH</b> White Flange <b>MAX##</b> Label for maximum wattage (where ## = wattage) <b>BN</b> Hole for emergency test switch	<b>HB-TL</b> 25" Tru-Lock grid ceiling bar hangers, Pair <b>HB-52</b> 52" C-Channel Bar Hangers, Pair <b>HB-28</b> 28" C-Channel Bar Hangers, Pair <b>LB-27</b> 27" Linear Bar Hangers, Pair <b>HB-4</b> Bar Hanger conversion kit for wooden joists <b>SCA8-</b> Sloped Ceiling Adapter *Angle must be specified when ordering; Available in 5°, 10°, 15°, 20°, 25°, 30° Example: SCA8-20	

1 Add a -1 for 120V, a -2 for 277V  
Example: C8H-118QD10-1



**OPEN REFLECTOR (2X26W QUAD TUBE)**

Catalog Number: C8H-226Q (C852-CL)  
PHOTOMETRIC REPORT

Test Number: PR04063099

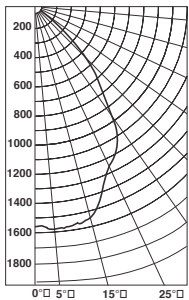
Total Luminaire Efficiency: 59.3%

Luminaire Spacing Criteria: 1.10

Luminaire: Clear specular Alzak® reflector. Open bottom.

Lamps: Two CF26DD/E/841, rated at 3650 lumens.

CIE-Type: Direct



**Candlepower Distribution (Candelas)**

Angle	Candela	Lumens
0°	1551	
5°	1576	150
15°	1532	434
25°	1241	574
35°	955	600
45°	485	375
55°	29	26
65°	4	4
75°	0	0
85°	0	0

**Initial Footcandles**

Distance to Illuminated Plane (Feet)	Footcandles Beam Center	Footcandles Beam Edge	Beam Diameter
6'	43.1	10.8	9.3'
7'	31.7	8.0	10.9'
8'	24.2	6.1	12.4'
9'	19.2	4.8	14.0'
10'	15.5	3.9	15.5'
11'	12.8	3.2	17.1'
12'	10.8	2.7	18.6'
13'	9.2	2.3	20.2'
14'	7.9	2.0	21.8'
15'	6.9	1.7	23.3'

**Luminaire Data**

Ang in Deg	Footlamberts	Candela/M <sup>2</sup>
45	7258	24866
55	540	1849
65	103	352
75	0	0
85	0	0

**Zonal Lumen Summary**

Zone	Lumens	%Lamp	%Fixture
0-30°	1159	31.8	53.6
0-40°	1759	48.2	81.3
0-60°	2160	59.2	99.8
0-90°	2164	59.3	100.0
90-180°	0	0.0	0.0
0-180°	2164	59.3	100.0

**AVERAGE INITIAL FOOTCANDLES**

Reflectances: 80% Ceiling, 50% Walls, 30% Floors

Luminaire Spacing	Room Cavity Ratio			
	RCR1	RCR4	RCR8	
5' x 5'	95	74	55	
6' x 6'	66	52	39	
7' x 7'	48	38	28	
8' x 8'	37	29	22	
9' x 9'	29	23	17	
10' x 10'	24	19	14	
11' x 11'	20	15	11	
12' x 12'	16	13	10	

**COEFFICIENTS OF UTILIZATION - % (Zonal Cavity Method)**

Effective Floor Reflectance 20%

PCC	Room Cavity Ratio																	
	80			70			50			30			10			0		
PW	70	50	30	10	70	50	30	10	50	30	10	50	30	10	50	30	10	0
0	71	71	71	71	69	69	69	69	66	66	66	63	63	63	61	61	61	59
1	67	65	64	62	65	64	62	61	61	60	59	59	58	57	57	56	56	55
2	63	60	57	55	62	59	57	54	57	55	53	55	54	52	54	52	51	50
3	59	55	52	49	58	54	51	49	53	50	48	51	49	47	50	48	47	46
4	56	51	47	44	55	50	47	44	49	46	44	48	45	43	47	44	43	42
5	53	47	43	40	52	46	43	40	45	42	40	44	42	39	43	41	39	38
6	49	44	40	37	49	43	39	37	42	39	36	41	38	36	40	38	36	35
7	47	40	36	34	46	40	36	33	39	36	33	38	35	33	38	35	33	32
8	44	38	34	31	43	37	33	31	37	33	31	36	33	30	35	32	30	29
9	41	35	31	28	41	35	31	28	34	31	28	34	30	28	33	30	28	27
10	39	33	29	26	38	32	29	26	32	29	26	31	28	26	31	28	26	25

**OPEN REFLECTOR (2X18W QUAD TUBE)**

Catalog Number: C8H-218Q (C852-CL)  
PHOTOMETRIC REPORT

Test Number: PR05060199

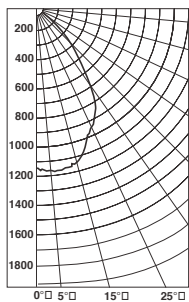
Total Luminaire Efficiency: 60.5%

Luminaire Spacing Criteria: 1.08

Luminaire: Clear specular Alzak® reflector. Open bottom.

Lamps: Two CF18DD/E/827, rated at 2500 total lumens.

CIE-Type: Direct



**Candlepower Distribution (Candelas)**

Angle	Candela	Lumens
0°	1139	
5°	1161	111
15°	1127	319
25°	918	425
35°	637	400
45°	306	237
55°	19	17
65°	4	4
75°	0	0
85°	0	0

**Initial Footcandles**

Distance to Illuminated Plane (Feet)	Footcandles Beam Center	Footcandles Beam Edge	Beam Diameter
6'	31.7	8.5	8.8'
7'	23.3	6.2	10.2'
8'	17.8	4.8	11.7'
9'	14.1	3.8	13.2'
10'	11.4	3.1	14.6'
11'	9.4	2.5	16.1'
12'	7.9	2.1	17.6'
13'	6.7	1.8	19.0'
14'	5.8	1.6	20.5'
15'	5.1	1.4	22.0'

**Luminaire Data**

Ang in Deg	Footlamberts	Candela/M <sup>2</sup>
45	4587	15716
55	342	1173
65	112	382
75	0	0
85	0	0

**Zonal Lumen Summary**

Zone	Lumens	%Lamp	%Fixture
0-30°	855	34.2	56.5
0-40°	1255	50.2	82.9
0-60°	1509	60.4	99.7
0-90°	1513	60.5	100.0
90-180°	0	0.0	0.0
0-180°	1513	60.5	100.0

**AVERAGE INITIAL FOOTCANDLES**

Reflectances: 80% Ceiling, 50% Walls, 30% Floors

Luminaire Spacing	Room Cavity Ratio			
	RCR1	RCR4	RCR8	
5' x 5'	67	52	39	
6' x 6'	47	36	27	
7' x 7'	34	27	20	
8' x 8'	26	20	15	
9' x 9'	21	16	12	
10' x 10'	17	13	10	
11' x 11'	14	11	8	
12' x 12'	12	9	7	

**COEFFICIENTS OF UTILIZATION - % (Zonal Cavity Method)**

Effective Floor Reflectance 20%

PCC	Room Cavity Ratio																	
	80			70			50			30			10			0		
PW	70	50	30	10	70	50	30	10	50	30	10	50	30	10	50	30	10	0
0	72	72	72	72	70	70	70	70	67	67	67	64	64	64	62	62	62	61
1	68	67	65	64	67	65	64	63	63	62	61	61	60	59	58	58	57	56
2	65	61	59	57	63	60	58	56	58	56	55	57	55	53	55	54	52	51
3	61	57	53	51	60	56	53	50	54	52	49	53	51	49	51	49	48	47
4	57	52	49	46	56	52	48	46	50	47	45	49	47	44	48	46	44	43
5	54	48	45	42	53	48	44	41	47	44	41	46	43	41	45	42	40	39
6	51	45	41	38	50	44	41	38	43	40	38	43	40	37	42	39	37	36
7	48	42	38	35	47	41	38	35	41	37	35	40	37	34	39	36	34	33
8	45	39	35	32	44	39	35	32	38	34	32	37	34	32	37	34	32	31
9	43	36	32	30	42	36	32	30	35	32	30	35	32	29	34	31	29	28
10	40	34	30	28	40	34	30	28	33	30	27	33	30	27	32	29	27	26

**OPEN REFLECTOR (1X26W QUAD TUBE)**

Catalog Number: C8H-126Q (C850-CL)  
PHOTOMETRIC REPORT

Test Number: PR04062898

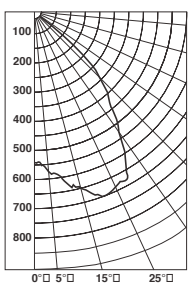
Total Luminaire Efficiency: 62.8%

Luminaire Spacing Criteria: 1.34

Luminaire: Clear specular Alzak® reflector. Open bottom.

Lamps: One CF26DD/E/827, rated at 1825 total lumens.

CIE-Type: Direct



**Candlepower Distribution (Candelas)**

Angle	Candela	Lumens
0°	541	
5°	574	55
15°	655	186
25°	688	319
35°	524	329
45°	310	240
55°	16	14
65°	4	4
75°	0	0
85°	0	0

**Initial Footcandles**

Distance to Illuminated Plane (Feet)	Footcandles Beam Center	Footcandles Beam Edge	Beam Diameter
6'	15.0	3.8	11.1'
7'	11.0	2.8	13.0'
8'	8.5	2.2	14.9'
9'	6.7	1.7	16.7'
10'	5.4	1.4	18.6'
11'	4.5	1.1	20.4'
12'	3.8	1.0	22.3'
13'	3.2	0.8	24.1'
14'	2.8	0.7	26.0'
15'	2.4	0.6	27.8'

**Luminaire Data**

Ang in Deg	Footlamberts	Candela/M <sup>2</sup>
45	4635	15882
55	295	1011
65	107	365
75	0	0
85	0	0

**Zonal Lumen Summary**

Zone	Lumens	%Lamp	%Fixture
0-30°	559	30.6	48.8
0-40°	888	48.7	77.5
0-60°	1142	62.6	99.6
0-90°	1147	62.8	100.0
90-180°	0	0.00	0.00
0-180°	1147	62.8	100.0

**AVERAGE INITIAL FOOTCANDLES**

Reflectances: 80% Ceiling, 50% Walls, 30% Floors

Luminaire Spacing	Room Cavity Ratio			
	RCR1	RCR4	RCR8	
5' x 5'	50	39	28	
6' x 6'	35	27	19	
7' x 7'	26	20	14	
8' x 8'	20	15	11	
9' x 9'	16	12	9	
10' x 10'	13	10	7	
11' x 11'	10	8	6	
12' x 12'	9	7	5	

**COEFFICIENTS OF UTILIZATION - % (Zonal Cavity Method)**

Effective Floor Reflectance 20%

PCC	Room Cavity Ratio																	
	80			70			50			30			10			0		
PW	70	50	30	10	70	50	30	10	50	30	10	50	30	10	50	30	10	0
0	75	75	75	75	73	73	73	73	70	70	70	67	67	67	64	64	64	63
1	71	69	67	65	69	67	66	64	65	64	62	63	62	61	60	60	59	58
2	67	63	60	58	65	62	59	57	60	58	56	58	56					