

PRODUCT SPECIFICATIONS

Optics

Reflector: Precision reflector with 55° visual cut-off to both lamp and lamp image • Single position optics eliminate possibility of specified lamp being installed in incorrect position • Low iridescent specular or satin Alzak® .050" thick reflector in clear, gold, wheat, pewter or bronze with integral flange of same finish; other finishes available upon request • Painted white flange is optional • V-Flux Miro® specular insert increases efficiency of horizontal CFL models without sacrificing brightness control

Baffle: Specular clear Alzak® upper reflector and white or black painted deep multi-groove aluminum baffle insert with integral flange painted white

Electrical

Ballast: Class "P" thermally protected 120V-277V universal voltage high power factor electronic ballast with end of life protection

Lamp Holder: 4-pin GX24q UV stabilized thermoplastic socket with non-fatiguing stainless steel lamp retention spring

Mechanical

Socket Housing: Heavy gauge die-formed galvanized steel

Mounting Frame: 16-gauge galvanized steel mounting ring with factory installed spring steel friction clips • Accommodates ceilings up to 3/4" thick; ceiling thickness adapter accessory is available for ceilings up to 2" • Common rough-in section accepts open, single wall wash and lensed reflectors

Mounting Bracket: Mounting brackets have 3" vertical adjustment and accept proprietary Tru-Lock bar hangers, 1 1/2" C-channel and flat linear bars (ordered as accessories) or 1/2" EMT, 3/4" and 1 1/2" lathing channel (by others) • One-piece Tru-Lock bar hangers have integral T-bar locking screws and alignment notches for locating and locking fixture in the center or 1/4 tile increments

Junction Box: Ballast mounted to J-box cover for optimal heat dissipation and serviceability from below the ceiling • Oversized 4"x 6" galvanized steel junction box with (6) 1/2" and (1) 3/4" knockouts facilitate quick wiring • Junction box rated for eight No. 12 AWG 90°C branch circuit conductors (4-in, 4-out)

Labels and Listings

UL/C-UL listed for feed through and damp locations • I.B.E.W. Union made

Product specifications subject to change without notice.

ENGINEERING DATA

Voltage	120V-HPF			277V-HPF			347V-HPF Canada		
Lamp Wattage	26W	32W	42W	26W	32W	42W	26W	32W	42W
Total input power	27W	36W	46W	27W	36W	46W	31W	36W	50W
Operating AMPS	0.23	0.31	0.38	0.10	0.13	0.17	0.09	0.11	0.15
Ballast factor	1.00	0.98	0.98	1.00	0.98	0.98	1.02	0.98	1.00

ORDERING INFORMATION: Rough-in, reflector and accessories each ordered separately.

Example: C6H-126/42T-BR			Example: C650-CL				Example: HB-TL
Rough-In	Wattage/Lamp	Options	Reflector	Color Options	Finish	Options	Accessories
C6H-	126/42T-						
C6H	126/42T 1x26W, 32W or 42W Triple, 4-Pin	347 347 Volt BR Emergency Battery Back-up w/Remote Switch BN Emergency Battery Back-up w/Integral Test Switch HR High-Lumen Emergency Battery Back-up with Remote Switch HN High-Lumen Emergency Battery Back-up with Integral Test Switch D10 ¹ Dimming Ballast Advance Mark 10™ D7 Dimming Ballast Advance Mark 7™ DL ^{1,2} Dimming Ballast Lutron Compact SE **F Fuse and Fuse Holder (Where *** = voltage) CP Chicago Plenum	C650 Open Reflector C650B-T Baffle	C Clear G Gold WT Wheat PT Pewter BZ Bronze B Black W White	Low Iridescent Alzak® Finishes: L Specular S Satin Blank for baffle & white	WH White Flange MAX## Label for maximum wattage (where ## = wattage) BN Hole for emergency test switch	HB-TL 25" Tru-Lock grid ceiling bar hangers, Pair HB-52 52" C-Channel Bar Hangers, Pair HB-28 28" C-Channel Bar Hangers, Pair LB-27 27" Linear Bar Hangers, Pair HB-4 Bar Hanger conversion kit for wooden joists SCA6- * Sloped Ceiling Adapter *Angle must be specified when ordering; Available in 5°, 10°, 15°, 20°, 25°, 30° Example: SCA6-20

¹ Add a -1 for 120V, a -2 for 277V
² Lutron Dimming Ballast is wattage specific.
26W/120V = C6H-126T-DL-1

6" HORIZONTAL CFL DOWNLIGHT

OPEN APERTURE

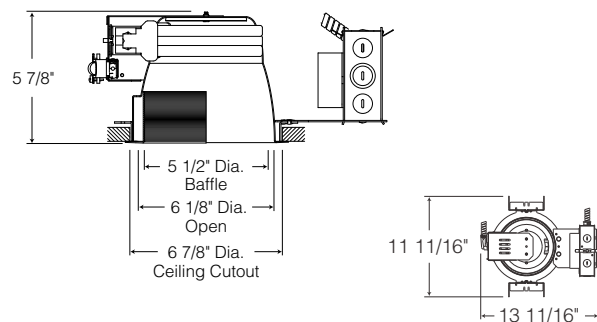
ONE 26, 32 or 42W Triple Tube

C6H-126/42T

C650, C650B-T

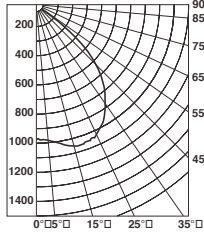
Type	Cat. No.
_____	_____
_____	_____
Project: _____	
Notes: _____	

DIMENSIONS



**OPEN REFLECTOR
(42W TRIPLE TUBE)**

Catalog Number: C6H-126/42T (C650-CL)
PHOTOMETRIC REPORT
Test Number: PR03062199
Total Luminaire Efficiency: 64.9%
Luminaire Spacing Criteria: 1.35
Luminaire: Clear specular Alzak® reflector. Open bottom.
Lamps: One OSI CF42DT/E/IN/840, rated at 3200 lumens.
CIE-Type: Direct



Candlepower Distribution (Candelas)

Angle	Candela	Lumens
0°	975	
5°	992	95
15°	1054	299
25°	1017	471
35°	847	532
45°	601	466
55°	222	199
65°	11	11
75°	4	4
85°	2	2

Initial Footcandles

Distance to Illuminated Plane (Feet)	Footcandles Beam Center	Footcandles Beam Edge	Beam Diameter
6'	27.1	4.5	13.1'
7'	19.9	3.3	15.3'
8'	15.2	2.6	17.5'
9'	12.0	2.0	19.7'
10'	9.7	1.6	21.9'
11'	8.1	1.4	24.1'
12'	6.8	1.1	26.3'
13'	5.8	1.0	28.4'
14'	5.0	0.8	30.6'
15'	4.3	0.7	32.8'

Luminaire Data

Ang in Deg	Footlamberts	Candela/M ²
45	13605	46615
55	6179	21172
65	410	1404
75	235	806
85	379	1297

Zonal Lumen Summary

Zone	Lumens	%Lamp	%Fixture
0-30°	864	27.0	41.6
0-40°	1396	43.6	67.2
0-60°	2060	64.4	99.2
0-90°	2078	64.9	100.0
90-180°	0	0.0	0.0
0-180°	2078	64.9	100.0

AVERAGE INITIAL FOOTCANDLES

Reflectances: 80% Ceiling, 50% Walls, 30% Floors

Luminaire Spacing	Room Cavity Ratio		
	RCR1	RCR4	RCR8
5' x 5'	91	68	47
6' x 6'	63	47	33
7' x 7'	46	35	24
8' x 8'	36	27	19
9' x 9'	28	21	15
10' x 10'	23	17	12
11' x 11'	19	14	10
12' x 12'	16	12	8

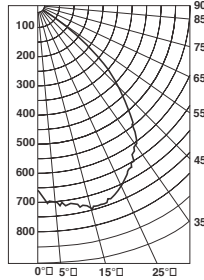
COEFFICIENTS OF UTILIZATION - % (Zonal Cavity Method)

Effective Floor Reflectance 20%

PCC	80					70					50					30					10					0
	PW	70	50	30	10	70	50	30	10	50	30	10	50	30	10	50	30	10	50	30	10	0				
0	77	77	77	77	75	75	75	75	72	72	72	69	69	69	66	66	66	66	66	66	65					
1	73	71	69	67	71	69	67	66	67	65	64	64	63	62	62	61	60	59								
2	68	64	61	58	66	63	60	57	61	58	56	59	57	55	57	55	54	53								
3	63	58	54	51	62	57	53	50	55	52	50	54	51	49	52	50	48	47								
4	59	53	48	45	58	52	48	45	51	47	44	49	46	43	48	45	43	42								
5	55	48	43	40	54	47	43	40	46	42	39	45	42	39	44	41	38	37								
6	51	44	39	36	50	43	39	35	42	38	35	41	38	35	40	37	35	33								
7	48	40	35	32	47	40	35	32	39	35	32	38	34	31	37	34	31	30								
8	45	37	32	29	44	37	32	29	36	32	29	35	31	29	34	31	28	27								
9	42	34	29	26	41	34	29	26	33	29	26	32	29	26	32	28	26	25								
10	39	32	27	24	39	31	27	24	31	27	24	30	26	24	30	26	24	23								

**OPEN REFLECTOR
(32W TRIPLE TUBE)**

Catalog Number: C6H-126/42T (C650-CL)
PHOTOMETRIC REPORT
Test Number: PR03062299
Total Luminaire Efficiency: 59.6%
Luminaire Spacing Criteria: 1.37
Luminaire: Clear specular Alzak® reflector. Open bottom.
Lamps: One OSI CF32DT/E/835, rated at 2400 lumens.
CIE-Type: Direct



Candlepower Distribution (Candelas)

Angle	Candela	Lumens
0°	651	
5°	692	66
15°	734	208
25°	696	322
35°	599	376
45°	414	321
55°	136	122
65°	11	11
75°	3	3
85°	2	2

Initial Footcandles

Distance to Illuminated Plane (Feet)	Footcandles Beam Center	Footcandles Beam Edge	Beam Diameter
6'	18.1	3.3	12.8'
7'	13.3	2.4	15.0'
8'	10.2	1.8	17.1'
9'	8.0	1.5	19.2'
10'	6.5	1.2	21.4'
11'	5.4	1.0	23.5'
12'	4.5	0.8	25.7'
13'	3.9	0.7	27.8'
14'	3.3	0.6	29.9'
15'	2.9	0.5	32.1'

Luminaire Data

Ang in Deg	Footlamberts	Candela/M ²
45	9367	32093
55	3794	12998
65	402	1378
75	182	623
85	368	1260

Zonal Lumen Summary

Zone	Lumens	%Lamp	%Fixture
0-30°	596	24.8	41.7
0-40°	972	40.5	68.0
0-60°	1415	59.0	98.9
0-90°	1431	59.6	100.0
90-180°	0	0.0	0.0
0-180°	1431	59.6	100.0

AVERAGE INITIAL FOOTCANDLES

Reflectances: 80% Ceiling, 50% Walls, 30% Floors

Luminaire Spacing	Room Cavity Ratio		
	RCR1	RCR4	RCR8
5' x 5'	62	47	33
6' x 6'	43	33	23
7' x 7'	32	24	17
8' x 8'	24	18	13
9' x 9'	19	15	10
10' x 10'	16	12	8
11' x 11'	13	10	7
12' x 12'	11	8	6

COEFFICIENTS OF UTILIZATION - % (Zonal Cavity Method)

Effective Floor Reflectance 20%

PCC	80					70					50					30					10					0
	PW	70	50	30	10	70	50	30	10	50	30	10	50	30	10	50	30	10	50	30	10	0				
0	71	71	71	71	69	69	69	69	66	66	66	63	63	63	61	61	61	60								
1	67	65	63	61	65	64	62	60	61	60	59	59	58	57	57	56	55	54								
2	62	59	56	53	61	58	55	53	56	54	52	54	52	50	52	51	49	48								
3	58	53	50	47	57	53	49	46	51	48	46	49	47	45	48	46	44	43								
4	54	49	44	41	53	48	44	41	46	43	41	45	42	40	44	42	40	38								
5	50	44	40	37	49	44	40	37	42	39	36	41	38	36	40	38	35	34								
6	47	40	36	33	46	40	36	33	39	35	32	38	35	32	37	34	32	31								
7	44	37	33	30	43	37	32	29	36	32	29	35	32	29	34	31	29	28								
8	41	34	30	27	40	34	30	27	33	29	26	32	29	26	32	29	26	25								
9	39	32	27	24	38	31	27	24	31	27	24	30	26	24	29	26	24	23								
10	36	29	25	22	36	29	25	22	28	25	22	28	24	22	27	24	22	21								



1300 S. Wolf Road • Des Plaines, IL 60018 • Phone (800) 367-5866 • Fax (888) 708-6578
 Visit us at www.junolightinggroup.com

Printed in U.S.A. ©2010 Juno Lighting, LLC.