

**PRODUCT SPECIFICATIONS**
**Optics**

**Reflector:** Precision reflector with 50° visual cut-off to both lamp and lamp image • Single position optics eliminate possibility of specified lamp being installed in incorrect position • Low iridescent specular or satin Alzak® .050" thick reflector in clear, gold, wheat, pewter or bronze with integral flange of same finish; other finishes available upon request • Painted white flange is optional

**Baffle:** Specular clear Alzak® upper reflector and white or black painted deep multi-groove aluminum baffle insert with integral flange painted white

**Electrical**

**Ballast:** Class "P" thermally protected 120V-277V universal voltage high power factor electronic ballast with end of life protection

**Lamp Holder:** 4-pin GX24q3 UV stabilized thermoplastic socket with non-fatiguing stainless steel lamp retention spring

**Socket Cap:** Vented die-cast aluminum socket cup optimizes lamp performance and securely fastens to reflector with stabilizing ribs to prevent rocking

**Mechanical**

**Mounting Frame:** 16-gauge galvanized steel mounting ring with factory installed spring steel friction clips • Accommodates ceilings up to 3/4" thick; ceiling thickness adapter accessory is available for ceilings up to 2" • Common rough-in section accepts open, single wall wash and lensed reflectors

**Mounting Bracket:** Mounting brackets have 3" vertical adjustment and accept proprietary Tru-Lock bar hangers, 1 1/2" C-channel and flat linear bars (ordered as accessories) or 1/2" EMT, 3/4" and 1 1/2" lathing channel (by others) • One-piece Tru-Lock bar hangers have integral T-bar locking screws and alignment notches for locating and locking fixture in the center or 1/4 tile increments

**Junction Box:** Ballast mounted to J-box cover for optimal heat dissipation and serviceability from below the ceiling • Oversized 4"x 6" galvanized steel junction box with (6) 1/2" and (1) 3/4" knockouts facilitate quick wiring • Junction box rated for eight No. 12 AWG 90°C branch circuit conductors (4-in, 4-out)

**Labels and Listings**

UL/C-UL listed for feed through and damp locations • I.B.E.W. Union made

Product specifications subject to change without notice.

**ENGINEERING DATA**

Voltage	120V-HPF		277V-HPF		347V-HPF Canada	
	26W	32W	26W	32W	26W	32W
Lamp Wattage	26W	32W	26W	32W	26W	32W
Total input power	27W	36W	27W	36W	31W	36W
Operating AMPS	0.23	0.31	0.10	0.13	0.09	0.11
Ballast factor	1.00	0.98	1.00	0.98	1.02	0.98

# 8" VERTICAL CFL DOWNLIGHT

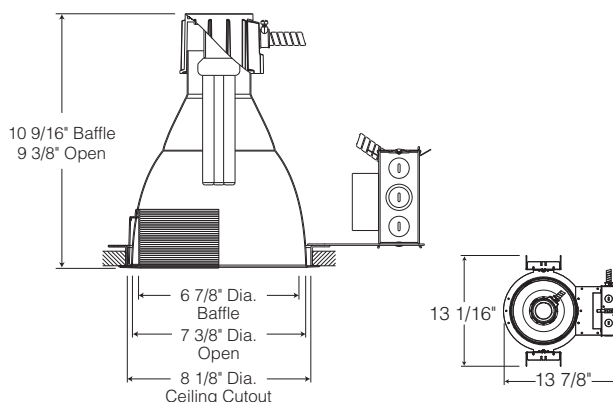
OPEN APERTURE

One 26W or 32W Triple Tube

**C8V-126/42T**

C800, C800B

Type	Cat. No.
_____	_____
_____	_____
Project: _____	
Notes: _____	

**DIMENSIONS**

**ORDERING INFORMATION:** Rough-in, reflector and accessories each ordered separately.

Example: <b>C8V-126/42T-BR</b>			Example: <b>C800-CL</b>				Example: <b>HB-TL</b>
Rough-In	Wattage/Lamp	Options	Reflector	Color Options	Finish	Options	Accessories
<b>C8V-</b>	<b>126/42T-</b>						
<b>C8V</b>	<b>126/42T</b> 1x26W or 32W Triple, 4-pin	<b>347</b> 347 Volt <b>BR</b> Emergency Battery Back-up w/Remote Switch <b>BN</b> Emergency Battery Back-up w/Integral Test Switch <b>HR</b> High-Lumen Emergency Battery Back-up with Remote Switch <b>HN</b> High-Lumen Emergency Battery Back-up with Integral Test Switch <b>D10</b> <sup>1</sup> Dimming Ballast Advance Mark 10™ <b>D7</b> Dimming Ballast Advance Mark 7™ <b>DL</b> <sup>1,2</sup> Dimming Ballast Lutron Compact SE <b>**F</b> Fuse and Fuse Holder (Where *** = voltage) <b>CP</b> Chicago Plenum <b>NV</b> Non-vented Socket Cup	<b>C800</b> Open Reflector <b>C800B</b> Baffle	<b>C</b> Clear <b>G</b> Gold <b>WT</b> Wheat <b>PT</b> Pewter <b>BZ</b> Bronze <b>B</b> Black <b>W</b> White	<b>Low Iridescent</b> <b>Alzak® Finishes:</b> <b>L</b> Specular <b>S</b> Satin Blank for baffle & white	<b>WH</b> White Flange <b>MAX##</b> Label for maximum wattage (where ## = wattage) <b>BN</b> Hole for emergency test switch	<b>HB-TL</b> 25" Tru-Lock grid ceiling bar hangers, Pair <b>HB-52</b> 52" C-Channel Bar Hangers, Pair <b>HB-28</b> 28" C-Channel Bar Hangers, Pair <b>LB-27</b> 27" Linear Bar Hangers, Pair <b>HB-4</b> Bar Hanger conversion kit for wooden joists <b>SCA8-</b> *Sloped Ceiling Adapter  *Angle must be specified when ordering; Available in 5°, 10°, 15°, 20°, 25°, 30° Example: SCA8-20

<sup>1</sup> Add a -1 for 120V, a -2 for 277V  
<sup>2</sup> Lutron Dimming Ballast is wattage specific.  
32W/120V = C8V-132T-DL-1  
26W/277V = C8V-126T-DL-2

**OPEN REFLECTOR (26W TRIPLE TUBE)**

Catalog Number: C8V-126/42T (C800-CL)  
PHOTOMETRIC REPORT

Test Number: PR03060701

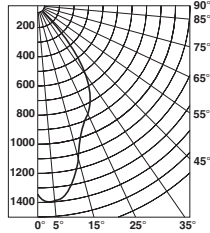
Total Luminaire Efficiency: 72.6%

Luminaire Spacing Criteria: 0.87

Luminaire: Clear specular Alzak® reflector. Open bottom.

Lamps: One OSI CF26DT/E/IN/830, rated at 1800 lumens.

CIE-Type: Direct



**Candlepower Distribution (Candelas)**

Angle	Candela	Lumens
0°	1342	
5°	1384	132
15°	1097	311
25°	832	385
35°	554	348
45°	165	127
55°	0	0
65°	0	0
75°	3	3
85°	0	0

**Initial Footcandles**

Distance to Illuminated Plane (Feet)	Footcandles Beam Center	Footcandles Beam Edge	Beam Diameter
6'	37.3	12.3	7.1'
7'	27.4	9.0	8.3'
8'	21.0	6.9	9.5'
9'	16.6	5.5	10.7'
10'	13.4	4.4	11.9'
11'	11.1	3.7	13.1'
12'	9.3	3.1	14.3'
13'	7.9	2.6	15.5'
14'	6.8	2.3	16.6'
15'	6.0	2.0	17.8'

**Luminaire Data**

Ang in Deg	Footlamberts	Candela/M <sup>2</sup>
45	2094	7176
55	0	0
65	0	0
75	93	318
85	0	0

**Zonal Lumen Summary**

Zone	Lumens	%Lamp	%Fixture
0-30°	828	46.0	63.4
0-40°	1176	65.3	90.0
0-60°	1303	72.4	99.8
0-90°	1306	72.6	100.0
90-180°	0	0.0	0.0
0-180°	1306	72.6	100.0

**AVERAGE INITIAL FOOTCANDLES**

Reflectances: 80% Ceiling, 50% Walls, 30% Floors

Luminaire Spacing	Room Cavity Ratio			
	RCR1	RCR4	RCR8	
5' x 5'	58	46	35	
6' x 6'	40	32	25	
7' x 7'	29	24	18	
8' x 8'	23	18	14	
9' x 9'	18	14	11	
10' x 10'	14	12	9	
11' x 11'	12	10	7	
12' x 12'	10	8	6	

**COEFFICIENTS OF UTILIZATION - % (Zonal Cavity Method)**

Effective Floor Reflectance 20%

PCC	80		70		50		30		10		0							
	PW	70	50	30	10	70	50	30	10	50	30	10	0					
0	86	86	86	86	84	84	84	84	81	81	81	77	77	77	74	74	74	73
1	82	80	78	77	80	79	77	75	76	74	73	73	72	71	70	70	69	68
2	78	74	71	69	76	73	70	68	71	69	67	69	67	65	67	65	64	63
3	74	69	65	62	72	68	65	62	66	63	61	64	62	60	63	61	59	58
4	70	64	60	57	69	63	60	57	62	59	56	60	58	55	59	57	55	54
5	66	60	56	52	65	59	55	52	58	54	52	57	54	51	56	53	51	50
6	63	56	52	48	62	55	51	48	54	51	48	53	50	47	52	49	47	46
7	59	52	48	45	58	52	48	45	51	47	44	50	47	44	49	46	44	43
8	56	49	45	42	55	49	44	41	48	44	41	47	44	41	46	43	41	40
9	53	46	42	39	53	46	42	39	45	41	39	44	41	38	44	41	38	37
10	51	44	39	36	50	43	39	36	43	39	36	42	39	36	41	38	36	35

**OPEN BAFFLE (32W TRIPLE TUBE)**

Catalog Number: C8V-126/42T (C800B-B)  
PHOTOMETRIC REPORT

Test Number: PR05061001

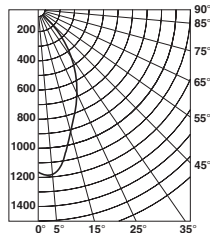
Total Luminaire Efficiency: 46.2%

Luminaire Spacing Criteria: 0.81

Luminaire: Clear specular Alzak® upper reflector with black baffle lower cone. Open bottom.

Lamps: One OSI CF32DT/E/IN/830, rated at 2400 lumens.

CIE-Type: Direct



**Candlepower Distribution (Candelas)**

Angle	Candela	Lumens
0°	1169	
5°	1177	112
15°	902	256
25°	661	306
35°	425	267
45°	207	160
55°	5	4
65°	3	3
75°	0	0
85°	0	0

**Initial Footcandles**

Distance to Illuminated Plane (Feet)	Footcandles Beam Center	Footcandles Beam Edge	Beam Diameter
6'	32.5	11.4	6.3'
7'	23.9	8.4	7.3'
8'	18.3	6.4	8.4'
9'	14.4	5.1	9.4'
10'	11.7	4.1	10.5'
11'	9.7	3.4	11.5'
12'	8.1	2.9	12.6'
13'	6.9	2.4	13.6'
14'	6.0	2.1	14.7'
15'	5.2	1.8	15.7'

**Luminaire Data**

Ang in Deg	Footlamberts	Candela/M <sup>2</sup>
45	3560	12196
55	103	354
65	76	261
75	0	0
85	0	0

**Zonal Lumen Summary**

Zone	Lumens	%Lamp	%Fixture
0-30°	674	28.1	60.8
0-40°	941	39.2	84.9
0-60°	1105	46.1	99.8
0-90°	1108	46.2	100.0
90-180°	0	0.0	0.0
0-180°	1108	46.2	100.0

**AVERAGE INITIAL FOOTCANDLES**

Reflectances: 80% Ceiling, 50% Walls, 30% Floors

Luminaire Spacing	Room Cavity Ratio			
	RCR1	RCR4	RCR8	
5' x 5'	49	39	30	
6' x 6'	34	27	21	
7' x 7'	25	20	15	
8' x 8'	19	15	12	
9' x 9'	15	12	9	
10' x 10'	12	10	7	
11' x 11'	10	8	6	
12' x 12'	9	7	5	

**COEFFICIENTS OF UTILIZATION - % (Zonal Cavity Method)**

Effective Floor Reflectance 20%

PCC	80		70		50		30		10		0							
	PW	70	50	30	10	70	50	30	10	50	30	10	0					
0	55	55	55	55	54	54	54	54	51	51	51	49	49	49	47	47	47	46
1	52	51	50	49	51	50	49	48	48	47	46	46	46	45	45	44	44	43
2	50	47	45	44	48	46	45	43	45	43	42	43	42	41	42	41	40	40
3	47	44	41	39	46	43	41	39	42	40	38	41	39	38	40	38	37	36
4	44	41	38	36	43	40	38	36	39	37	35	38	36	35	37	36	34	34
5	42	38	35	33	41	37	35	33	36	34	32	36	34	32	35	33	32	31
6	40	35	32	30	39	35	32	30	34	32	30	33	31	30	33	31	29	29
7	37	33	30	28	37	33	30	28	32	29	28	31	29	27	31	29	27	27
8	35	31	28	26	35	30	28	26	30	27	26	29	27	26	29	27	25	25
9	34	29	26	24	33	29	26	24	28	26	24	28	25	24	27	25	24	23
10	32	27	24	22	31	27	24	22	27	24	22	26	24	22	26	24	22	22

**OPEN REFLECTOR (32W TRIPLE TUBE)**

Catalog Number: C8V-126/42T (C800-CL)  
PHOTOMETRIC REPORT

Test Number: PR03060602

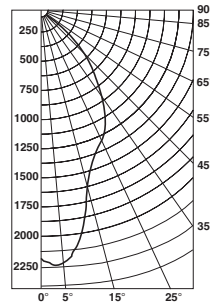
Total Luminaire Efficiency: 60.3%

Luminaire Spacing Criteria: 0.85

Luminaire: Clear specular Alzak® reflector. Open bottom.

Lamps: One OSI CF32DT/E/IN/830, rated at 2400 lumens.

CIE-Type: Direct



**Candlepower Distribution (Candelas)**

Angle	Candela	Lumens
0°	1338	
5°	1387	132
15°	1048	297
25°	812	376
35°	616	387
45°	322	249
55°	4	4
65°	0	0
75°	0	0
85°	0	0

**Initial Footcandles**

Distance to Illuminated Plane (Feet)	Footcandles Beam Center	Footcandles Beam Edge	Beam Diameter
6'	37.2	11.8	7.5'
7'	27.3	8.7	8.7'
8'	20.9	6.6	10.0'
9'	16.5	5.2	11.2'
10'	13.4	4.2	12.5'
11'	11.1	3.5	13.7'
12'	9.3	3.0	15.0'
13'	7.9	2.5	16.2'
14'	6.8	2.2	17.5'
15'	5.9	1.9	18.7'

**Luminaire Data**

Ang in Deg	Footlamberts	Candela/M <sup>2</sup>
45	4101	14049
55	67	229
65	0	0
75	0	0
85	0	0

**Zonal Lumen Summary**

Zone	Lumens	%Lamp	%Fixture
0-30°	805	33.6	55.7
0-40°	1193	49.7	82.5
0-60°	1446	60.3	100.0
0-90°	1446	60.3	100.0
90-180°	0	0.00	0.00
0-180°	1446	60.3	100.0

**AVERAGE INITIAL FOOTCANDLES**

Reflectances: 80% Ceiling, 50% Walls, 30% Floors

Luminaire Spacing	Room Cavity Ratio			
	RCR1	RCR4	RCR8	
5' x 5'	63	50	37	
6' x 6'	44	35	26	
7' x 7'	32	25	19	
8' x 8'	25	20	15	
9' x 9'	20	15	12	
10' x 10'	16	12	9	
11' x 11'	13	10	8	
12' x 12'	11	9	7	

**COEFFICIENTS OF UTILIZATION - % (Zonal Cavity Method)**

Effective Floor Reflectance 20%

PCC	80		70		50		30		10		0							
	PW	70	50	30	10	70	50	30	10	50	30	10	0					
0	72	72	72	72	70	70	70	70	67	67	67	64	64	64	61	61	61	60
1	68	66	65	63	67	65	64	62	63	61	60	60	59	59	58	58	57	56
2	64	61	59	56	63	60	58	56	58	56	55	56	55	53	55	53	52	51
3	61	57	53	51	60	56	53	5										