

PRODUCT SPECIFICATIONS

Optics

Reflector: Precision reflector with 50° visual cut-off to both lamp and lamp image • Single position optics eliminate possibility of specified lamp being installed in incorrect position • Low iridescent specular or satin Alzak® .050" thick reflector in clear, gold, wheat, pewter or bronze with integral flange of same finish; other finishes available upon request • Painted white flange is optional

Baffle: Specular clear Alzak® upper reflector and white or black painted deep multi-groove aluminum baffle insert with integral flange painted white

Electrical

Ballast: Class "P" thermally protected 120V-277V universal voltage high power factor electronic ballast with end of life protection

Lamp Holder: 4-pin GX24Q sockets feature UV stabilized thermoplastic with non-fatiguing stainless steel lamp retention springs • Sockets are wattage specific and only intended for use with designated wattage, GX24Q-1 (13W), GX24Q-2 (18W) and GX24Q-3 (26W)

Socket Cap: Vented die-cast aluminum socket cup optimizes lamp performance and securely fastens to reflector with stabilizing ribs to prevent rocking

Mechanical

Mounting Frame: 16-gauge galvanized steel mounting ring with factory installed spring steel friction clips • Accommodates ceilings up to 3/4" thick; ceiling thickness adapter accessory is available for ceilings up to 2" • Common rough-in section accepts open and single wall wash reflectors

Mounting Bracket: Mounting brackets have 3" vertical adjustment and accept proprietary Tru-Lock bar hangers, 1 1/2" C-channel and flat linear bars (ordered as accessories) or 1/2" EMT, 3/4" and 1 1/2" lathing channel (by others) • One-piece Tru-Lock bar hangers have integral T-bar locking screws and alignment notches for locating and locking fixture in the center or 1/4 tile increments

Junction Box: Ballast mounted to J-box cover for optimal heat dissipation and serviceability from below the ceiling • Junction box rated for eight No. 12 AWG 90°C branch circuit conductors (4-in, 4-out)

Labels and Listings

UL/C-UL listed for feed through and damp locations • I.B.E.W. Union made

Product specifications subject to change without notice.

ENGINEERING DATA

Voltage	120V-HPF			277V-HPF			347V-HPF Canada			
	Lamp Wattage	13W	18W	26W	13W	18W	26W	13W	18W	26W
Total input power	16W	19W	27W	16W	19W	27W	18W	21W	31W	
Operating AMPS	0.13	0.16	0.23	0.06	0.07	0.10	0.06	0.11	0.09	
Ballast factor	1.00	1.00	1.00	1.00	1.00	1.00	1.00	1.00	1.02	

ORDERING INFORMATION: Rough-in, reflector and accessories each ordered separately.

Example: C4V-126T-BR			Example: C400-CL				Example: HB-TL
Rough-In	Wattage/Lamp	Options	Reflector	Color Options	Finish	Options	Accessories
C4V-	-	-					
C4V	113T 1x13W Triple, 4-pin 118T 1x18W Triple, 4-Pin 126T 1x26W Triple, 4-Pin	347 347 Volt BR Emergency Battery Back-up w/Remote Switch HR High-Lumen Emergency Battery Back-up with Remote Switch D10 Dimming Ballast Advance Mark 10™ (not available for 13W) D7 Dimming Ballast Advance Mark 7™ DL Dimming Ballast Lutron Compact SE (not available for 13W) ***F Fuse and Fuse Holder (Where *** = voltage) CP Chicago Plenum NV Non-vented Socket Cup	C400 Open Reflector C400B Baffle	C Clear G Gold WT Wheat PT Pewter BZ Bronze B Black W White	Low Iridescent Alzak® Finishes: L Specular S Satin Blank for baffle & white	WH White Flange MAX## Label for maximum wattage (where ## = wattage)	HB-TL 25" Tru-Lock grid ceiling bar hangers, Pair HB-52 52" C-Channel Bar Hangers, Pair HB-28 28" C-Channel Bar Hangers, Pair LB-27 27" Linear Bar Hangers, Pair HB-4 Bar Hanger conversion kit for wooden joists SCA4* Sloped Ceiling Adapter

¹ Add a -1 for 120V, a -2 for 277V
Example: C4V-118T-D10-1

4" VERTICAL CFL DOWNLIGHT

OPEN APERTURE

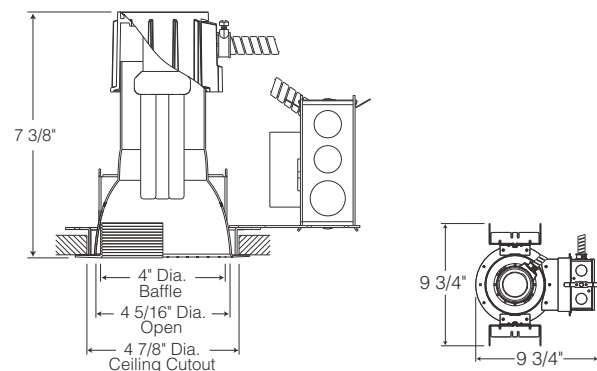
One 13W, 18W or 26W Triple Tube

C4V-113T, C4V-118T, C4V-126T

C400, C400B

Type	Cat. No.
_____	_____
_____	_____
Project: _____	
Notes: _____	

DIMENSIONS



OPEN REFLECTOR (26W TRIPLE TUBE)

Catalog Number: C4V-126T (C400-CL)

PHOTOMETRIC REPORT

Test Number: PR01062601

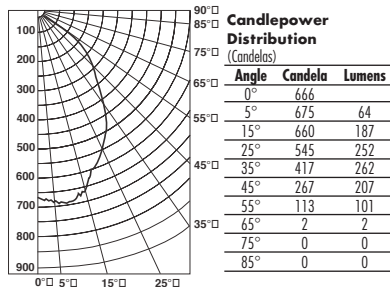
Total Luminaire Efficiency: 59.8%

Luminaire Spacing Criteria: 1.11

Luminaire: Clear specular Alzak® reflector. Open bottom.

Lamps: One OSI CF260T/E/IN/830, rated at 1800 lumens.

CIE-Type: Direct



Initial Footcandles

Distance to Illuminated Plane (Feet)	Footcandles Beam Center	Footcandles Beam Edge	Beam Diameter
6'	18.5	4.4	9.9'
7'	13.6	3.2	11.5'
8'	10.4	2.5	13.2'
9'	8.2	1.9	14.8'
10'	6.7	1.6	16.5'
11'	5.5	1.3	18.1'
12'	4.6	1.1	19.8'
13'	3.9	0.9	21.4'
14'	3.4	0.8	23.1'
15'	3.0	0.7	24.7'

Luminaire Data

Ang in Deg	Footlamberts	Candela/M ²
45	13613	46640
55	7093	24301
65	191	653
75	0	0
85	0	0

Zonal Lumen Summary

Zone	Lumens	%Lamp	%Fixture
0-30°	504	28.0	46.8
0-40°	765	42.5	71.1
0-60°	1074	59.7	99.8
0-90°	1076	59.8	100.0
90-180°	0	0.0	0.0
0-180°	1076	59.8	100.0

AVERAGE INITIAL FOOTCANDLES

Reflectances: 80% Ceiling, 50% Walls, 30% Floors

Luminaire Spacing	Room Cavity Ratio			
	RCR1	RCR4	RCR8	
5' x 5'	47	36	26	
6' x 6'	33	25	18	
7' x 7'	24	18	13	
8' x 8'	18	14	10	
9' x 9'	14	11	8	
10' x 10'	12	9	6	
11' x 11'	10	7	5	
12' x 12'	8	6	5	

COEFFICIENTS OF UTILIZATION - % (Zonal Cavity Method)

Effective Floor Reflectance 20%

PCC	80		70		50		30		10		0							
	PW	70	50	30	10	70	50	30	10	50	30	10	0					
0	71	71	71	71	70	70	70	66	66	66	64	64	64	61	61	61	60	
1	67	65	64	62	66	64	62	61	62	60	59	58	57	57	56	56	55	
2	63	60	57	54	62	58	56	54	56	54	52	55	53	51	53	51	50	49
3	59	54	51	48	58	53	50	47	52	49	47	50	48	46	49	47	45	44
4	55	50	46	43	54	49	45	42	47	44	42	46	43	41	45	43	41	40
5	51	45	41	38	50	45	41	38	44	40	37	43	40	37	42	39	37	36
6	48	42	37	34	47	41	37	34	40	37	34	39	36	34	38	36	33	32
7	45	38	34	31	44	38	34	31	37	33	31	36	33	31	36	33	30	29
8	42	36	31	28	41	35	31	28	34	31	28	34	30	28	33	30	28	27
9	40	33	29	26	39	33	29	26	32	28	26	31	28	26	31	28	26	25
10	38	31	27	24	37	30	26	24	30	26	24	29	26	24	29	26	24	23

OPEN BAFFLE (26W TRIPLE TUBE)

Catalog Number: C4V-126T (C400B-B)

PHOTOMETRIC REPORT

Test Number: PR04060802

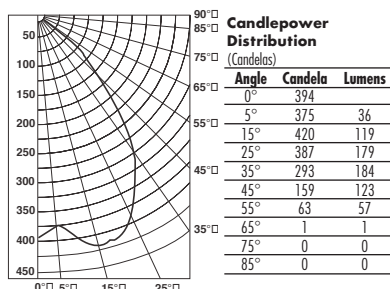
Total Luminaire Efficiency: 38.3%

Luminaire Spacing Criteria: 1.23

Luminaire: Clear specular Alzak® upper reflector with black baffle lower cone. Open bottom.

Lamps: One OSI CF260T/E/IN/830, rated at 1800 lumens.

CIE-Type: Direct



Initial Footcandles

Distance to Illuminated Plane (Feet)	Footcandles Beam Center	Footcandles Beam Edge	Beam Diameter
6'	10.9	2.6	10.4'
7'	8.0	1.9	12.1'
8'	6.2	1.4	13.8'
9'	4.9	1.1	15.5'
10'	3.9	0.9	17.3'
11'	3.3	0.8	19.0'
12'	2.7	0.6	20.7'
13'	2.3	0.5	22.4'
14'	2.0	0.5	24.2'
15'	1.8	0.4	25.9'

Luminaire Data

Ang in Deg	Footlamberts	Candela/M ²
45	8070	27650
55	3964	13583
65	85	292
75	0	0
85	0	0

Zonal Lumen Summary

Zone	Lumens	%Lamp	%Fixture
0-30°	334	18.3	47.8
0-40°	519	28.4	74.2
0-60°	698	38.2	99.9
0-90°	699	38.3	100.0
90-180°	0	0.0	0.0
0-180°	699	38.3	100.0

AVERAGE INITIAL FOOTCANDLES

Reflectances: 80% Ceiling, 50% Walls, 30% Floors

Luminaire Spacing	Room Cavity Ratio			
	RCR1	RCR4	RCR8	
5' x 5'	30	23	17	
6' x 6'	21	16	12	
7' x 7'	15	12	8	
8' x 8'	12	9	6	
9' x 9'	9	7	5	
10' x 10'	8	6	4	
11' x 11'	6	5	3	
12' x 12'	5	4	3	

COEFFICIENTS OF UTILIZATION - % (Zonal Cavity Method)

Effective Floor Reflectance 20%

PCC	80		70		50		30		10		0							
	PW	70	50	30	10	70	50	30	10	50	30	10	0					
0	46	46	46	46	45	45	45	43	43	43	41	41	41	39	39	39	38	
1	43	42	41	40	42	41	40	39	39	39	38	38	37	37	37	36	36	35
2	40	38	36	35	40	38	36	34	36	35	34	35	34	33	34	33	32	32
3	38	35	33	31	37	34	32	31	33	31	30	32	31	30	31	30	29	28
4	35	32	29	27	35	31	29	27	31	29	27	30	28	27	29	27	26	26
5	33	29	27	25	32	29	26	24	28	26	24	27	25	24	27	25	24	23
6	31	27	24	22	30	27	24	22	26	24	22	25	23	22	25	23	22	21
7	29	25	22	20	28	24	22	20	24	22	20	23	21	20	23	21	20	19
8	27	23	20	18	27	23	20	18	22	20	18	22	20	18	21	19	18	17
9	26	21	19	17	25	21	18	17	21	18	17	21	18	17	20	18	16	16
10	24	20	17	15	24	20	17	15	19	17	15	19	17	15	19	17	15	15

OPEN REFLECTOR (18W TRIPLE TUBE)

Catalog Number: C4V-118T (C400-CL)

PHOTOMETRIC REPORT

Test Number: PR01062001

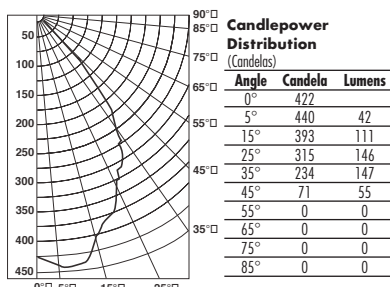
Total Luminaire Efficiency: 41.8%

Luminaire Spacing Criteria: 1.03

Luminaire: Clear specular Alzak® reflector. Open bottom.

Lamps: One OSI CF180T/E/IN/830, rated at 1200 lumens.

CIE-Type: Direct



Initial Footcandles

Distance to Illuminated Plane (Feet)	Footcandles Beam Center	Footcandles Beam Edge	Beam Diameter
6'	11.7	3.2	9.0'
7'	8.6	2.3	10.5'
8'	6.6	1.8	11.9'
9'	5.2	1.4	13.4'
10'	4.2	1.1	14.9'
11'	3.5	0.9	16.4'
12'	2.9	0.8	17.9'
13'	2.5	0.7	19.4'
14'	2.2	0.6	20.9'
15'	1.9	0.5	22.4'

Luminaire Data

Ang in Deg	Footlamberts	Candela/M ²
45	3615	12387
55	0	0
65	0	0
75	0	0
85	0	0

Zonal Lumen Summary

Zone	Lumens	%Lamp	%Fixture
0-30°	299	24.9	59.7
0-40°	446	37.2	89.0
0-60°	501	41.8	100.0
0-90°	501	41.8	100.0
90-180°	0	0.00	0.00
0-180°	501	41.8	100.0

AVERAGE INITIAL FOOTCANDLES

Reflectances: 80% Ceiling, 50% Walls, 30% Floors

Luminaire Spacing	Room Cavity Ratio			
	RCR1	RCR4	RCR8	
5' x 5'	22	18	13	
6' x 6'	15	12	9	
7' x 7'	11	9	7	
8' x 8'	9	7	5	
9' x 9'	7	5	4	
10' x 10'	6	4	3	
11' x 11'	5	4	3	
12' x 12'	4	3	2	

COEFFICIENTS OF UTILIZATION - % (Zonal Cavity Method)

Effective Floor Reflectance 20%

PCC	80		70		50		30		10		0							
	PW	70	50	30	10	70	50	30	10	50	30	10	0					
0	50	50	50	50	49	49	49	49	46	46	46	44	44	44	43	43	43	42
1	47	46	45	44	46	45	44	43	43	43	42	42	41	41	41	40	40	39
2	45	43	41	39	44	42	40	39	41	39	38	39	38	37	38	37	37	36
3	42	40	37	36	42	39	37	35	38	36	35	37	35	34	36	35	34	33
4	40	37	34	32	39	36	34	32	35	33	3							