

**PRODUCT SPECIFICATIONS**
**Optics**

Two-piece optical system maximizes lamp output while providing excellent glare control

● **Trim:** Self-flanged, clear satin Alzak® (SATSF) trim with low iridescent finish is standard • Other Alzak finishes are available; see trim options

● **Upper Reflector:** Upper reflector finish to be high reflectance white paint standard

**Electrical**

● **Ballast:** Class 'P' thermally protected 120/277V universal voltage high power factor electronic ballast with end of life protection

● **Lamp Holder:** 4-pin GX24q UV stabilized thermoplastic socket with nonfatiguing stainless steel lamp retention spring

**Mechanical**

● **Housing:** Heavy gauge steel with black enamel finish • Removable panel allows for access to ballast from below ceiling • Housing cover removable for top access

● **Mounting Frame:** Heavy gauge steel lower housing ring with factory installed spring steel friction clips securely holds trim in ceiling • Accommodates ceilings up to 3/4" thick; Trim collar is available for thicker ceilings; consult factory

● **Mounting Bracket:** Mounting brackets have 3" vertical adjustment and accept 1-1/2" C-channel mounting bars • Indy TRU-LOCK bar hangers are supplied standard • For non-accessible ceiling add suffix "825" for 28" 'C' channel mounting bars • One-piece Tru-Lock bar hangers have integral T-bar locking screws and alignment notches for locating and locking fixture in the center or 1/4 tile increments

● **Junction Box:** Ballast mounted to j-box cover for optimal heat dissipation and serviceability from below the ceiling • Over size 4" x 6" galvanized steel junction box with (6) 1/2" and (2) 3/4" knockouts facilitate quick wiring • Junction box rated for 8 No. 12 AWG 90° C branch circuit conductors (4-in, 4-out)

**Labels and Listings**

UL/C-UL listed for feed through and damp locations • I.B.E.W. Union made

Product specifications subject to change without notice.

**ENGINEERING DATA**

Voltage	120V-HPF			277V-HPF			347V-HPF-Canada		
Lamp Voltage	26W	32W	42W	26W	32W	42W	26W	32W	42W
Total input power	27W	36W	46W	27W	36W	46W	31W	36W	50W
Operating AMPS	0.23	0.31	0.38	0.10	0.13	0.17	0.09	0.11	0.15
Ballast factor	1.00	0.98	0.98	1.00	0.98	0.98	1.02	0.98	1.00

**ORDERING INFORMATION:**

Example: **FDSQ58-26E-SATSF**

Catalog #	Trim Options	Options
<b>FDSQ58-26E</b> 26W Universal	<b>Alzak® Finish Options:</b> Satin SATSF SATF Specular CGTFSF CGTF Clear BASTF BATF Champagne Gold PATSF PATF Black WITFSF WITF Pewter BRTSF BRTF Wheat Bronze  <b>Painted Finish Options</b> White WHTF	<b>PF</b> Painted Flange Only (White) <b>LD</b> Dimming Ballast, Lutron EcoSystem <b>AD<sup>1</sup></b> Dimming Ballast, Advance Mark 10™ <b>D7</b> Dimming Ballast, Advance Mark 7™ <b>BP-I<sup>2</sup></b> 120/277V Emergency Battery Pack with Internal Test Switch (For remote test switch specify - BP) <b>HP-I<sup>2</sup></b> 120/277V High-Lumen Emergency Battery Pack with Internal Test Switch (For remote test switch specify - HP) <b>***F</b> Fuse and Fuse Holder (Where*** = voltage) <b>†CP</b> Chicago Plenum <b>825</b> 28" 'C' Channel Mounting Bars, Pair <b>347</b> 347 Volt

† Consult Factory for Availability

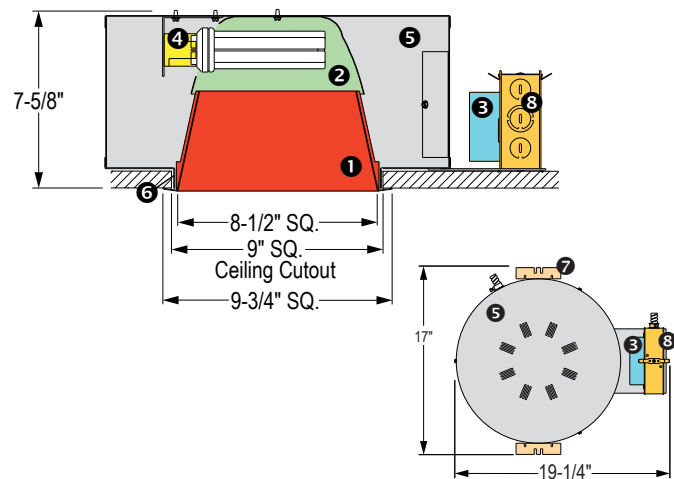
<sup>1</sup> Add a -1 for 120V, a -2 for 277V

<sup>2</sup> Battery pack access in non-accessible ceilings require 5" additional plenum height.

**DESIGNER SERIES  
8" TRIPLE TUBE HORIZONTAL  
2-LAMP OPEN REFLECTOR  
SQUARE DOWNLIGHT  
FDSQ58**

26W/32W/42W COMPACT FLUORESCENT

Type	Cat. No.
_____	_____
Project: _____	
Notes: _____	


**DIMENSIONS**


**OPEN REFLECTOR  
(8" 2-42W TRIPLE TUBE)**

Catalog Number: FDSQ58-42E-SATF  
 PHOTOMETRIC REPORT  
 Test Number: PR11110301  
 Total Luminaire Efficiency: 50.5%  
 Luminaire Spacing Criteria: 1.07  
 Luminaire: Two-Piece Reflector; Specular Clear Lower trim with Hi-reflectance upper reflector, Open bottom.  
 Lamps: Two (2) Philips PL-T42W/35/4P, rated @ 3200 lumens each.  
 CIE-Type: Direct

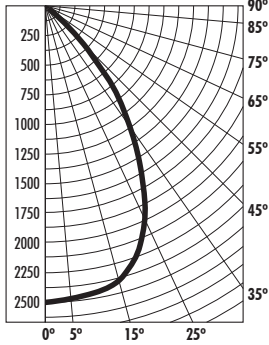
**Initial Footcandles**

Distance to Illuminated Plane (Feet)	Footcandles Beam Center	Footcandles Beam Edge	Beam Diameter
6'	69.6	18.7	8.6'
7'	51.1	13.8	10.0'
8'	39.1	10.5	11.4'
9'	30.9	8.3	12.9'
10'	25.0	6.7	14.3'
11'	20.7	5.6	15.7'
12'	17.4	4.7	17.1'
13'	14.8	4.0	18.6'
14'	12.8	3.4	20.0'
15'	11.1	3.0	21.4'

**AVERAGE INITIAL FOOTCANDLES**

Reflectances: 80% Ceiling, 50% Walls, 30% Floors

Luminaire Spacing	Room Cavity Ratio		
	RCR1	RCR4	RCR8
5' x 5'	141	110	82
6' x 6'	98	76	57
7' x 7'	72	56	42
8' x 8'	55	43	32
9' x 9'	43	34	25
10' x 10'	35	28	20
11' x 11'	29	23	17
12' x 12'	24	19	14



**Candlepower Distribution (Candelas)**

Angle	Candela	Lumens
0°	2504	
5°	2493	238
15°	2406	682
25°	2010	930
35°	1284	806
45°	539	417
55°	143	129
65°	18	18
75°	6	6
85°	3	4

**Luminance Data**

Ang in Deg	Footlamberts	Candela/M <sup>2</sup>
45	4771	16348
55	1566	5364
65	2659	922
75	139	475
85	233	798

**Zonal Lumen Summary**

Zone	Lumens	%Lamp	%Fixture
0-30°	1851	28.9	57.3
0-40°	2657	41.5	82.2
0-60°	3203	50.0	99.1
0-90°	3230	50.5	100.0
90-180°	0	0.0	0.0
0-180°	3230	50.5	100.0

**COEFFICIENTS OF UTILIZATION - % (Zonal Cavity Method)**

Effective Floor Reflectance 20%

PCC	Room Cavity Ratio																	
	80			70			50			30			10			0		
PW	70	50	30	10	70	50	30	10	50	30	10	50	30	10	50	30	10	0
0	60	60	60	60	59	59	59	59	56	56	56	54	54	54	52	52	52	50
1	57	55	54	53	56	54	53	52	52	51	50	50	50	49	49	48	47	47
2	54	51	49	47	53	50	48	46	48	47	45	47	46	44	46	44	43	43
3	51	47	44	42	50	46	44	42	45	43	41	44	42	40	42	41	40	30
4	48	43	40	38	47	43	40	38	42	39	37	41	38	37	40	38	36	35
5	45	40	37	34	44	40	37	34	39	37	34	38	35	34	37	35	33	32
6	42	37	34	31	41	37	34	31	36	33	31	35	33	31	35	32	31	30
7	40	35	31	29	39	34	31	29	34	31	29	33	30	28	32	30	28	27
8	38	32	29	27	37	32	29	27	31	28	26	31	28	26	30	28	26	25
9	36	30	27	25	35	30	27	25	29	26	24	29	26	24	28	26	24	24
10	34	28	25	23	33	28	25	23	28	25	23	27	25	23	27	24	23	22

**OPEN REFLECTOR  
(8" 2-32W TRIPLE TUBE)**

Catalog Number: FDSQ58-32E-SATF  
 PHOTOMETRIC REPORT  
 Test Number: PR11110391  
 Total Luminaire Efficiency: 50.2%  
 Luminaire Spacing Criteria: 1.05  
 Luminaire: Two-Piece Reflector; Specular Clear Lower trim with Hi-reflectance upper reflector, Open bottom.  
 Lamps: Two (2) Philips PL-T32W/35/4P, rated @ 2400 lumens.  
 CIE-Type: Direct

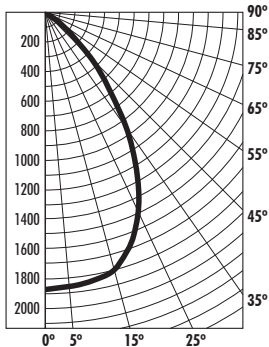
**Initial Footcandles**

Distance to Illuminated Plane (Feet)	Footcandles Beam Center	Footcandles Beam Edge	Beam Diameter
6'	52.2	14.1	8.6'
7'	38.3	10.3	10.0'
8'	29.3	7.9	11.4'
9'	23.2	6.2	12.9'
10'	18.8	5.1	14.3'
11'	15.5	4.2	15.7'
12'	13.0	3.5	17.1'
13'	11.1	3.0	18.6'
14'	9.6	2.6	20.0'
15'	8.3	2.2	21.4'

**AVERAGE INITIAL FOOTCANDLES**

Reflectances: 80% Ceiling, 50% Walls, 30% Floors

Luminaire Spacing	Room Cavity Ratio		
	RCR1	RCR4	RCR8
5' x 5'	106	83	61
6' x 6'	73	57	43
7' x 7'	54	42	31
8' x 8'	41	32	24
9' x 9'	33	25	19
10' x 10'	26	21	15
11' x 11'	22	17	13
12' x 12'	18	14	11



**Candlepower Distribution (Candelas)**

Angle	Candela	Lumens
0°	1878	
5°	1870	178
15°	1804	511
25°	1508	698
35°	963	605
45°	404	313
55°	108	96
65°	14	14
75°	4	5
85°	2	3

**Luminance Data**

Ang in Deg	Footlamberts	Candela/M <sup>2</sup>
45	3578	12260
55	1174	4023
65	202	691
75	104	356
85	175	598

**Zonal Lumen Summary**

Zone	Lumens	%Lamp	%Fixture
0-30°	1388	28.9	57.3
0-40°	1992	41.5	82.2
0-60°	2402	50.0	99.1
0-90°	2423	50.5	100.0
90-180°	0	0.0	0.0
0-180°	2423	50.5	100.0

**COEFFICIENTS OF UTILIZATION - % (Zonal Cavity Method)**

Effective Floor Reflectance 20%

PCC	Room Cavity Ratio																	
	80			70			50			30			10			0		
PW	70	50	30	10	70	50	30	10	50	30	10	50	30	10	50	30	10	0
0	60	60	60	60	59	59	59	59	56	56	56	54	54	54	52	52	52	50
1	57	55	54	53	56	54	53	52	52	51	50	50	50	49	49	48	47	47
2	54	51	49	47	53	50	48	46	48	47	45	47	46	44	46	44	43	43
3	51	47	44	42	50	46	44	42	45	43	41	44	42	40	42	41	40	30
4	48	43	40	38	47	43	40	38	42	39	37	41	38	37	40	38	36	35
5	45	40	37	34	44	40	37	34	39	37	34	38	35	34	37	35	33	32
6	42	37	34	31	41	37	34	31	36	33	31	35	33	31	35	32	31	30
7	40	35	31	29	39	34	31	29	34	31	29	33	30	28	32	30	28	27
8	38	32	29	27	37	32	29	27	31	28	26	31	28	26	30	28	26	25
9	36	30	27	25	35	30	27	25	29	26	24	29	26	24	28	26	24	24
10	34	28	25	23	33	28	25	23	28	25	23	27	25	23	27	24	23	22



**indy**

1300 S. Wolf Road • Des Plaines, IL 60018 • Phone (800) 367-5866 • Fax (888) 708-6578  
 Visit us at [www.junolightinggroup.com](http://www.junolightinggroup.com)