

PRODUCT SPECIFICATIONS

Optics

Lower Cone: Self-flanged, clear Alzak® (SACSF) satin cone with low iridescent finish is standard • Other Alzak® satin finishes are available; see trim options

Electrical

Transformer: Integral class 'H' insulated dry type autotransformer, 120V/12V, 7.5VA or 277V/12V, 7.5VA U.L. Listed

Lamp Holder: D.C. Bayonet with 200 °C, SF-1 leads

Mechanical

Housing: Heavy gauge steel with black baked enamel finish

Mounting Frame: Heavy gauge steel lower housing ring with factory installed spring steel friction clips securely holds cones in ceiling
• Accommodates ceilings up to 3/4" thick • Trim collar is available for thicker ceilings; consult factory

Mounting Bracket: Mounting brackets have 3" vertical adjustment and accept 1 1/2" C-channel mounting bars • Indy TRU-LOCK bar hangers are supplied standard • For non-accessible ceiling add suffix "825" for 28" "C" channel mounting bars • One-piece Tru-Lock bar hangers have integral T-Bar locking screws and alignment notches for locating and locking fixture in the center or 1/4 tile increments

Junction Box: Oversized 4" x 6" galvanized steel junction box with (6) 1/2" and (1) 3/4" knockouts facilitate quick wiring • Junction box rated for eight No. 12 AWG 90 °C branch circuit conductors (4-in, 4-out)

Labels and Listings

UL/C-UL listed for feed through and damp locations • I.B.E.W. Union made

Product specifications subject to change without notice.

DESIGNER SERIES

4" AR70 LOW VOLTAGE

DOWNLIGHT

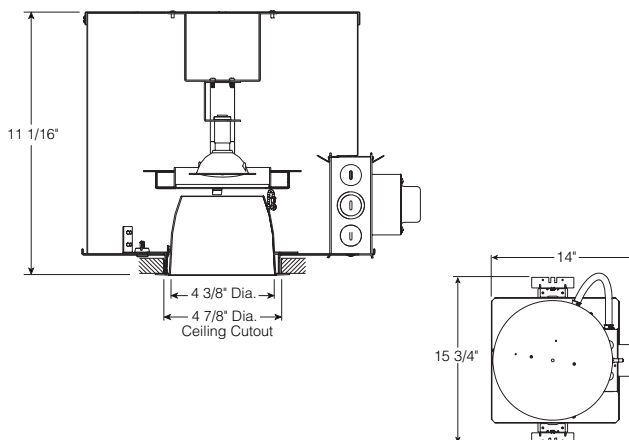
OPEN APERTURE

20-50W AR70

LD34

Type	Cat. No.
_____	_____
_____	_____
Project: _____	
Notes: _____	

DIMENSIONS



ORDERING INFORMATION: Accessories ordered separately.

Example: **LD34-751-SACSF**

Catalog#	Lamp/Wattage	Trim Options	Options	Accessories
LD34				
LD34	751 12V: 20-50W AR70, 120V	Alzak® Satin Finish Options SACSF Clear CGCSF Champagne Gold BACSF Black PACSF Pewter WTCSF Wheat BRCSF Bronze Painted Finish Options WHCF White Painted Cone	PF Painted Flange Only (White) F Fuse and Fuse Holder 825 28" 'C' Channel Mounting Bars, Pair	SCA4-* Sloped Ceiling Adapter *Angle must be specified when ordering. Available in 5°, 10°, 15°, 20°, 25°, 30°. Example: SCA4-15

**OPEN REFLECTOR
(50W AR70/FL25)**

Catalog Number: LD34-751-SACSF
PHOTOMETRIC REPORT

Test Number: PR01071703

Total Luminaire Efficiency: 100.0%

Luminaire Spacing Criteria: 0.43

Luminaire: Clear Alzak® Satin lower cone. Open bottom.

Lamps: One (1) 50W AR70 Flood, rated at 550 lumens.

CIE-Type: Direct

Initial Footcandles

Distance to Illuminated Plane (Feet)	Footcandles Beam Center	Footcandles Beam Edge	Beam Diameter
6'	78	36	2.8'
7'	57	27	3.3'
8'	44	20	3.8'
9'	35	16	4.3'
10'	28	13	4.7'
11'	23	11	5.2'
12'	20	9	5.7'
13'	17	8	6.1'
14'	14	7	6.6'
15'	13	6	7.1'

Luminance Data

Ang in Deg	Footlamberts	Candela/M ²
45	0	0
55	104	357
65	0	0
75	0	0
85	0	0

Zonal Lumen Summary

Zone	Lumens	%Lamp	%Fixture
0-30°	548	99.7	99.7
0-40°	548	99.7	99.7
0-60°	550	100.0	100.0
0-90°	550	100.0	100.0
90-180°	0	0	0
0-180°	550	100.0	100.0

AVERAGE INITIAL FOOTCANDLES

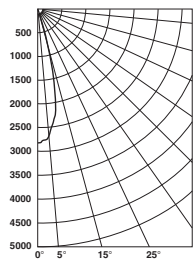
Reflectances: 80% Ceiling, 50% Walls, 20% Floors

Luminaire Spacing	Room Cavity Ratio		
	RCR1	RCR4	RCR8
5' x 5'	25	22	20
6' x 6'	17	16	14
7' x 7'	13	11	10
8' x 8'	10	9	8
9' x 9'	8	7	6
10' x 10'	6	6	5
11' x 11'	5	5	4
12' x 12'	4	4	4

COEFFICIENTS OF UTILIZATION - % (Zonal Cavity Method)

Effective Floor Reflectance 20%

RCC	80		70		50		30		10		0							
RW	70	50	30	10	70	50	30	10	50	30	10	50	30	10	50	30	10	0
0	119	119	119	119	116	116	116	116	111	111	111	106	106	106	102	102	102	100
1	116	114	112	111	113	112	110	109	108	107	105	104	103	102	101	100	99	98
2	112	109	107	105	110	108	105	103	105	103	101	102	100	99	99	98	97	95
3	110	106	103	100	108	104	102	99	102	100	98	100	98	96	98	96	94	93
4	107	102	99	97	106	101	98	96	100	97	95	98	96	94	96	94	93	92
5	105	100	96	94	103	99	96	93	97	95	93	96	94	92	95	93	91	90
6	102	97	94	91	101	97	93	91	95	92	90	94	92	90	93	91	89	88
7	100	95	91	89	99	94	91	89	93	91	88	92	90	88	91	89	88	87
8	98	93	89	87	97	92	89	87	92	89	87	91	88	86	90	88	86	85
9	96	91	88	85	96	91	87	85	90	87	85	89	87	85	89	86	85	84
10	95	89	86	84	94	89	86	84	88	85	83	88	85	83	87	85	83	82



Candlepower Distribution

Angle (Candelas)	Candela	Lumens
0°	2809	
5°	2687	256
15°	1013	287
25°	9	4
35°	0	0
45°	0	0
55°	2	2
65°	0	0
75°	0	0
85°	0	0

**OPEN REFLECTOR
(20W AR70/FL25)**

Catalog Number: LD34-751-SACSF
PHOTOMETRIC REPORT

Test Number: PR01071701

Total Luminaire Efficiency: 100.0%

Luminaire Spacing Criteria: 0.33

Luminaire: Clear Alzak® Satin lower cone. Open bottom.

Lamps: One (1) 20W AR70 Flood, rated at 210 lumens.

CIE-Type: Direct

Initial Footcandles

Distance to Illuminated Plane (Feet)	Footcandles Beam Center	Footcandles Beam Edge	Beam Diameter
6'	48	23	2.0'
7'	36	17	2.3'
8'	27	13	2.7'
9'	22	10	3.0'
10'	17	8	3.3'
11'	14	7	3.7'
12'	12	6	4.0'
13'	10	5	4.3'
14'	9	4	4.7'
15'	8	4	5.0'

Luminance Data

Ang in Deg	Footlamberts	Candela/M ²
45	137	469
55	0	0
65	0	0
75	0	0
85	0	0

Zonal Lumen Summary

Zone	Lumens	%Lamp	%Fixture
0-30°	207	98.8	98.8
0-40°	207	98.8	98.8
0-60°	210	100.0	100.0
0-90°	210	100.0	100.0
90-180°	0	0.0	0.0
0-180°	210	100.0	100.0

AVERAGE INITIAL FOOTCANDLES

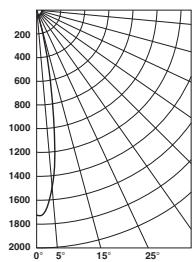
Reflectances: 80% Ceiling, 50% Walls, 20% Floors

Luminaire Spacing	Room Cavity Ratio		
	RCR1	RCR4	RCR8
5' x 5'	10	9	8
6' x 6'	7	6	6
7' x 7'	5	5	4
8' x 8'	4	3	3
9' x 9'	3	3	3
10' x 10'	2	2	2
11' x 11'	2	2	2
12' x 12'	2	2	1

COEFFICIENTS OF UTILIZATION - % (Zonal Cavity Method)

Effective Floor Reflectance 20%

RCC	80		70		50		30		10		0							
RW	70	50	30	10	70	50	30	10	50	30	10	50	30	10	50	30	10	0
0	119	119	119	119	116	116	116	116	111	111	111	106	106	106	102	102	102	100
1	116	114	113	111	114	112	111	110	108	107	106	105	104	103	101	100	99	98
2	113	110	108	106	111	109	107	105	106	104	103	103	102	101	100	99	98	97
3	111	107	105	102	109	106	104	102	104	102	100	102	100	99	99	98	97	96
4	109	105	102	100	107	104	101	99	102	100	98	100	98	97	99	97	96	95
5	107	102	99	97	106	102	99	97	100	98	96	99	97	95	98	96	95	94
6	105	101	98	95	104	100	97	95	99	96	95	98	96	94	97	95	93	92
7	103	99	96	94	103	98	96	94	97	95	93	96	94	93	96	94	92	92
8	102	97	94	92	101	97	94	92	96	94	92	95	93	92	95	93	91	91
9	101	96	93	91	100	96	93	91	95	93	91	94	92	91	94	92	90	90
10	99	95	92	90	99	94	92	90	94	91	90	93	91	90	93	91	89	89



Candlepower Distribution

Angle (Candelas)	Candela	Lumens
0°	1740	
5°	1501	143
15°	220	62
25°	4	2
35°	0	0
45°	3	2
55°	0	0
65°	0	0
75°	0	0
85°	0	0



indy

1300 S. Wolf Road • Des Plaines, IL 60018 • Phone (800) 367-5866 • Fax (888) 708-6578

Visit us at www.junolightinggroup.com

Printed in U.S.A. ©2010 Juno Lighting, LLC.