

## PRODUCT SPECIFICATIONS

### Optics

**Cone:** Self-flanged, clear Alzak® (SACSF) satin cone with low iridescent finish is standard • Other Alzak® satin finishes are available; see trim options

**Upper Reflector:** Diffused, faceted Alzak® upper reflector available in narrow, medium and wide beam distributions • Design accommodates variations in lamp manufacturing tolerances without loss of efficiency or control

**Shielding:** Protective heat tempered borosilicate glass lamp shield • Relamping: serviceable from above or below ceiling

### Electrical

**Lamp Holder:** Mini-can screw base socket with corrosion resistant, high temperature type contacts

### Mechanical

**Mounting Bracket:** Mounting brackets have 3" vertical adjustment and accept 1 1/2" C-channel mounting bars • Tru-Lock bar hangers provided standard, have integral T-bar locking screws and alignment notches for locating and locking fixture in the center or 1/4 tile increments • For non-accessible ceilings specify '825' for 28" 'C' channel mounting bars • 3/4" maximum ceiling thickness • Trim collar is available for thicker ceilings; consult factory

**Housing:** Cold rolled steel with black baked enamel finish • Extruded aluminum socket housing with heat dissipating fins allows for operation well within U.L. temperature requirements

**Junction Box:** Oversized 4" x 6" galvanized steel junction box with (6) 1/2" and (1) 3/4" knockouts facilitate quick wiring • Junction box rated for eight No. 12 AWG 90° C branch circuit conductors (4-in, 4-out)

### Labels and Listings

UL/C-UL listed for feed through and damp locations • I.B.E.W. Union made • Fixture meets requirements for use in non-fire rated ceiling construction

Product specifications subject to change without notice.

## DESIGNER SERIES

## 8" 250W, T4 TUNGSTEN-HALOGEN

## DOWNLIGHT

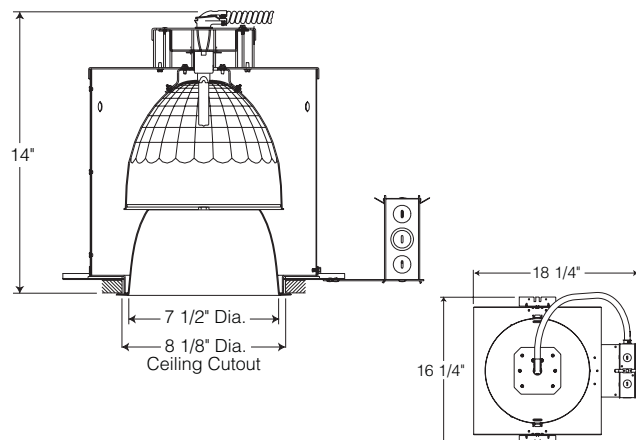
## OPEN APERTURE

## 250W, T4 TUNGSTEN-HALOGEN

## ID58

Type	Cat. No.
_____	_____
_____	_____
Project: _____	
Notes: _____	

## DIMENSIONS



## ORDERING INFORMATION: Accessories ordered separately.

Example: **ID58N-2501-SACSF**

Catalog#	Lamp/Wattage	Trim Options	Options	Accessories
	<b>2501</b>			
<b>ID58N</b> Narrow Distribution	<b>2501</b> 250W T4 Inside Frosted Tungsten Halogen, 120V	<b>Alzak® Satin Finish Options</b> <b>SACSF</b> Clear <b>CGCSF</b> Champagne Gold <b>BACSF</b> Black <b>PACSF</b> Pewter <b>WTCSF</b> Wheat <b>BRCSF</b> Bronze <b>Painted Finish Options</b> <b>WHCF</b> White Painted Cone <b>BKB</b> Black Multi Groove Baffle	<b>PF</b> Painted Flange Only (White) <b>F</b> Fuse and Fuse Holder <b>825</b> 28" 'C' Channel Mounting Bars, Pair	<b>SCA8-*</b> Sloped Ceiling Adapter  *Angle must be specified when ordering. Available in 5°, 10°, 15°, 20°, 25°, 30°. Example: SCA8-15
<b>ID58M</b> Medium Distribution				
<b>ID58W</b> Wide Distribution				

**OPEN REFLECTOR  
(250W T4 Tungsten-Halogen)**

Catalog Number: ID58N-2501-SACSF

PHOTOMETRIC REPORT

Test Number: PR10951901

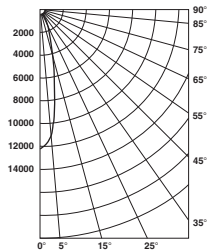
Total Luminaire Efficiency: 70.0%

Luminaire Spacing Criteria: 0.44

Luminaire: Clear Alzak® Satin lower cone. Open bottom.

Lamps: One (1) 250W T4 Tungsten-Halogen Inside Frosted, rated at 4850 lumens.

CIE-Type: Direct



Candlepower Distribution (Candelas)			
Angle	Candela	Lumens	
0°	12286		
5°	11175	1066	
15°	4785	1356	
25°	1202	556	
35°	605	380	
45°	41	32	
55°	3	3	
65°	2	2	
75°	0	0	
85°	0	0	

**Initial Footcandles**

Distance to Illuminated Plane (Feet)	Footcandles Beam Center	Footcandles Beam Edge	Beam Diameter
6'	341.3	158.1	2.7'
7'	250.7	116.1	3.2'
8'	192.0	88.9	3.7'
9'	151.7	70.3	4.1'
10'	122.9	56.9	4.6'
11'	101.5	47.0	5.0'
12'	85.3	39.5	5.5'
13'	72.7	33.7	5.9'
14'	62.7	29.0	6.4'
15'	54.6	25.3	6.7'

**Luminaire Data**

Ang in Deg	Footlamberts	Candela/M <sup>2</sup>
45	2165	632
55	212	62
65	144	42
75	0	0
85	0	0

**Zonal Lumen Summary**

Zone	Lumens	%Lamp	%Fixture
0-30°	2978	61.4	87.7
0-40°	3358	69.2	98.9
0-60°	3393	70.0	100.0
0-90°	3394	70.0	100.0
90-180°	0	0.0	0.0
0-180°	3394	70.0	100.0

**AVERAGE INITIAL FOOTCANDLES**

Reflectances: 80% Ceiling, 50% Walls, 20% Floors

Luminaire Spacing	Room Cavity Ratio			
	RCR1	RCR4	RCR8	
5' x 5'	151	132	113	
6' x 6'	105	92	78	
7' x 7'	77	67	57	
8' x 8'	59	52	44	
9' x 9'	47	41	35	
10' x 10'	38	33	28	
11' x 11'	31	27	23	
12' x 12'	26	23	20	

**COEFFICIENTS OF UTILIZATION - % (Zonal Cavity Method)**

Effective Floor Reflectance 20%

RCC	80		70		50		30		10		0							
	RW	70	50	30	10	70	50	30	10	50	30	10	0					
0	83	83	83	83	81	81	81	81	77	77	77	74	74	74	71	71	71	69
1	80	78	77	76	78	77	76	74	73	72	71	71	70	69	68	68	67	67
2	77	74	72	70	75	73	71	69	71	69	68	69	68	66	67	66	65	64
3	74	71	68	66	73	70	67	65	68	66	64	66	65	63	65	64	62	61
4	72	68	65	62	71	67	64	62	65	63	61	64	62	61	63	61	60	59
5	69	65	62	59	68	64	61	59	63	61	59	62	60	58	61	59	58	57
6	67	62	59	57	66	62	59	57	61	58	56	60	58	56	59	57	56	55
7	65	60	57	54	64	59	56	54	59	56	54	58	56	54	57	55	54	53
8	63	58	55	52	62	57	54	52	57	54	52	56	54	52	55	53	52	51
9	61	56	53	51	60	55	53	51	55	52	50	54	52	50	54	52	50	49
10	59	54	51	49	58	54	51	49	53	51	49	53	50	49	52	50	48	48

**OPEN REFLECTOR  
(250W T4 Tungsten-Halogen)**

Catalog Number: ID58M-2501-SACSF

PHOTOMETRIC REPORT

Test Number: PR10951905

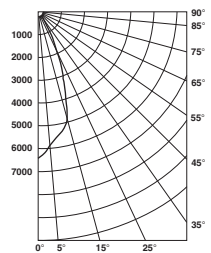
Total Luminaire Efficiency: 72.8%

Luminaire Spacing Criteria: 0.69

Luminaire: Clear Alzak® Satin lower cone. Open bottom.

Lamps: One (1) 250W T4 Tungsten-Halogen Inside Frosted, rated at 4850 lumens.

CIE-Type: Direct



Candlepower Distribution (Candelas)			
Angle	Candela	Lumens	
0°	6404		
5°	5869	560	
15°	4884	1384	
25°	2309	1068	
35°	719	452	
45°	95	74	
55°	8	7	
65°	0	0	
75°	0	0	
85°	0	0	

**Initial Footcandles**

Distance to Illuminated Plane (Feet)	Footcandles Beam Center	Footcandles Beam Edge	Beam Diameter
6'	177.9	71.6	4.7'
7'	130.7	52.6	5.5'
8'	100.1	40.3	6.3'
9'	79.1	31.8	7.1'
10'	64.0	25.8	7.9'
11'	52.9	21.3	8.7'
12'	44.5	17.9	9.5'
13'	37.9	15.3	10.3'
14'	32.7	13.1	11.1'
15'	28.5	11.5	11.8'

**Luminaire Data**

Ang in Deg	Footlamberts	Candela/M <sup>2</sup>
45	5064	1478
55	535	156
65	0	0
75	0	0
85	0	0

**Zonal Lumen Summary**

Zone	Lumens	%Lamp	%Fixture
0-30°	3012	62.1	85.3
0-40°	3464	71.4	98.1
0-60°	3545	73.1	100.4
0-90°	3531	72.8	100.0
90-180°	0	0.0	0.0
0-180°	3531	72.8	100.0

**AVERAGE INITIAL FOOTCANDLES**

Reflectances: 80% Ceiling, 50% Walls, 20% Floors

Luminaire Spacing	Room Cavity Ratio			
	RCR1	RCR4	RCR8	
5' x 5'	157	132	107	
6' x 6'	109	92	74	
7' x 7'	80	67	54	
8' x 8'	61	52	42	
9' x 9'	49	41	33	
10' x 10'	39	33	27	
11' x 11'	32	27	22	
12' x 12'	27	23	19	

**COEFFICIENTS OF UTILIZATION - % (Zonal Cavity Method)**

Effective Floor Reflectance 20%

RCC	80		70		50		30		10		0							
	RW	70	50	30	10	70	50	30	10	50	30	10	0					
0	86	86	86	86	84	84	84	84	80	80	80	77	77	77	74	74	74	72
1	83	81	79	78	81	79	78	77	76	75	74	74	73	72	71	71	70	69
2	79	76	74	71	78	75	73	71	73	71	69	70	69	68	69	67	66	65
3	76	72	69	66	75	71	68	66	69	67	65	67	65	64	66	64	63	62
4	73	68	64	62	71	67	64	61	66	63	61	64	62	60	63	61	59	58
5	70	64	61	58	69	64	60	58	62	59	57	61	59	57	60	58	56	55
6	67	61	57	55	66	61	57	54	60	56	54	59	56	54	58	55	53	52
7	64	58	54	52	63	58	54	51	57	54	51	56	53	51	55	53	51	50
8	61	55	52	49	61	55	51	49	54	51	49	54	51	48	53	50	48	47
9	59	53	49	47	58	52	49	46	52	49	46	51	48	46	51	48	46	45
10	57	50	47	44	56	50	47	44	50	46	44	49	46	44	49	46	44	43

**OPEN REFLECTOR  
(250W T4 Tungsten-Halogen)**

Catalog Number: ID58W-2501-SACSF

PHOTOMETRIC REPORT

Test Number: ITL45279

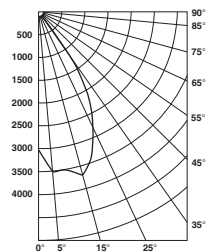
Total Luminaire Efficiency: 72.5%

Luminaire Spacing Criteria: 1.00

Luminaire: Clear Alzak® Satin lower cone. Open bottom.

Lamps: One (1) 250W T4 Tungsten-Halogen Inside Frosted, rated at 4850 lumens.

CIE-Type: Direct



Candlepower Distribution (Candelas)			
Angle	Candela	Lumens	
0°	3029	18	
5°	3564	170	
15°	3788	537	
25°	2809	651	
35°	1469	462	
45°	83	0	
55°	0	0	
65°	0	0	
75°	0	0	
85°	0	0	

**Initial Footcandles**

Distance to Illuminated Plane (Feet)	Footcandles Beam Center	Footcandles Beam Edge	Beam Diameter
6'	84.2	31.9	7.6'
7'	61.8	23.4	8.8'
8'	47.3	17.9	10.1'
9'	37.4	14.2	11.3'
10'	30.3	11.5	12.6'
11'	25.0	9.5	13.8'
12'	21.0	8.0	15.1'
13'	17.9	6.8	16.3'
14'	15.5	5.9	17.6'
15'	13.5	5.1	18.9'

**Luminaire Data**

Ang in Deg	Footlamberts	Candela/M <sup>2</sup>
45	43	12
55	0	0
65	0	0
75	0	0
85	0	0

**Zonal Lumen Summary**

Zone	Lumens	%Lamp	%Fixture
0-30°	2653	54.7	75.4
0-40°	3468	71.5	98.6
0-60°	3517	72.5	100.0
0-90°	3517	72.5	100.0
90-180°	0.29	0.1	0.1
0-180°	3517	72.5	100.1

**AVERAGE INITIAL FOOTCANDLES**

Reflectances: 80% Ceiling, 50% Walls, 20% Floors

Luminaire Spacing	Room Cavity Ratio			
	RCR1	RCR4	RCR8	
5' x 5'	157	128	101	
6' x 6'	109	89	70	
7' x 7'	80	65	51	
8' x 8'	61	50	39	
9' x 9'	49	40	31	
10' x 10'	39	32	25	
11' x 11'	32	26	21	
12' x 12'	27	22	18	

**COEFFICIENTS OF UTILIZATION - % (Zonal Cavity Method)**

Effective Floor Reflectance 20%

RCC	80		70		50		30		10		0							
	RW	70	50	30	10	70	50	30	10	50	30	10	0					
0	86	86	86	86	84	84	84	84	81	81	81	77	77	77	74	74	74	73
1	83	81	79															