

PRODUCT SPECIFICATIONS
Optics

Reflector: Self-flanged, clear Alzak® (SACSF) satin cone with low iridescent finish is standard • Other Alzak® satin finishes are available; see trim options

Shielding: Protective clear tempered glass lamp guard

Electrical

Lamp Holder: Mogal end prong base with white, unglazed porcelain body and heavy duty copper alloy, nickel plated brass screw shell

Mechanical

Adjustability: Yoke assembly allows 358° rotation and up to 35° tilt of lamp
• Rotation and tilt locking are standard

Mounting Bracket: Mounting brackets have 3" vertical adjustment and accept 1 1/2" C-channel mounting bars • Tru-Lock bar hangers provided standard, have integral T-bar locking screws and alignment notches for locating and locking fixture in the center or 1/4 tile increments • For non-accessible ceilings specify '825' for 28" 'C' channel mounting bars • 3/4" maximum ceiling thickness
• Trim collar is available for thicker ceilings; consult factory

Housing: Cold rolled steel with black baked enamel finish

Junction Box: Oversized 4" x 6" galvanized steel junction box with (6) 1/2" and (1) 3/4" knockouts facilitate quick wiring • Junction box rated for eight No. 12 AWG 90 °C branch circuit conductors (4-in, 4-out)

Labels and Listings

UL/C-UL listed for feed through and damp locations • I.B.E.W. Union made

Product specifications subject to change without notice.

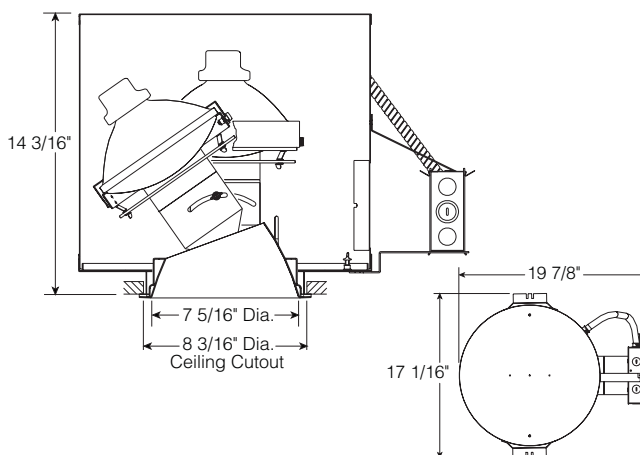
DESIGNER SERIES
8" PAR56 INTERNALLY ADJUSTABLE

OPEN APERTURE

300/500W PAR56

IA48

Type	Cat. No.
_____	_____
_____	_____
Project: _____	
Notes: _____	

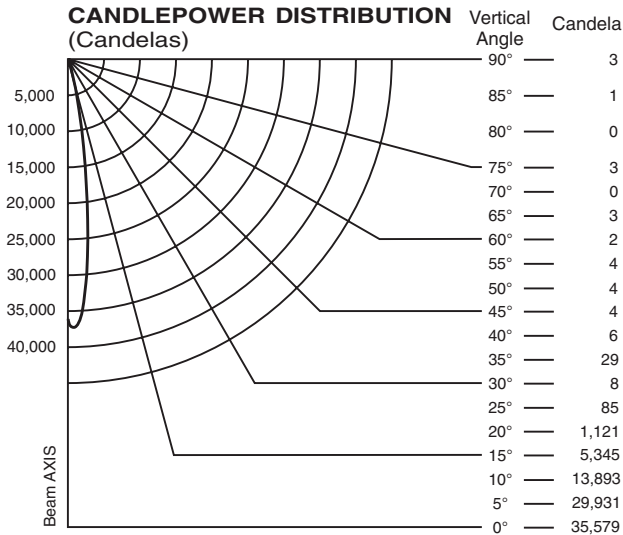
DIMENSIONS

ORDERING INFORMATION

Example: **IA48-5001-SACSF**

Catalog#	Lamp/Wattage	Trim Options	Options
IA48			
IA48	5001 500W PAR56; 120V	Alzak® Satin Finish Options SACSF Clear CGCSF Champagne Gold PACSF Pewter WTCSF Wheat BRCSF Bronze Painted Finish Options WHCF White Painted Cone	PF Painted Flange Only (White) F Fuse and Fuse Holder 825 28" 'C' Channel Mounting Bars, Pair
	3001 300W PAR56; 120V		

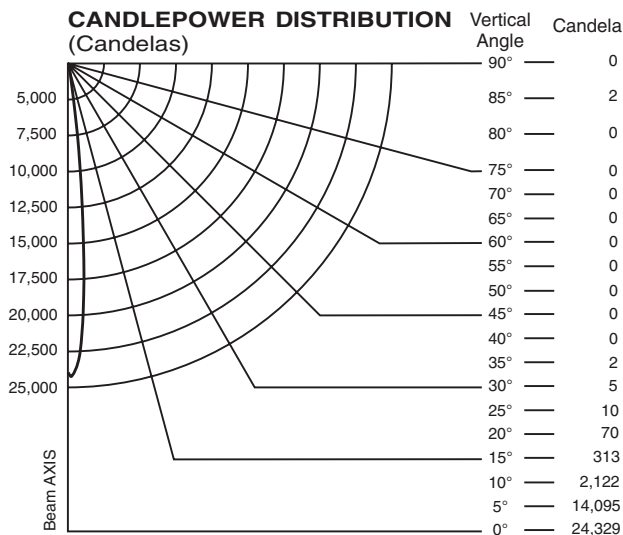
LAMP DATA:

Beam spreads plotted at 50% maximum candlepower, footcandles at 0° aiming angle. Values based on nominal conditions, and may change with field or manufacturing variables.



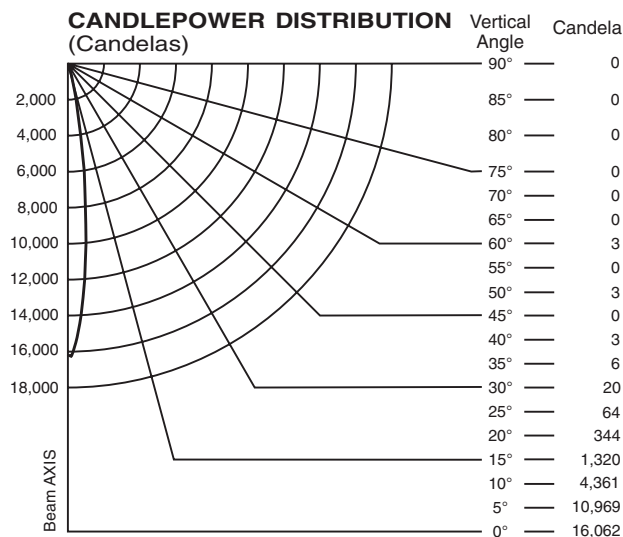
Catalog Number:
Lamp: 500Watt PAR56/Q/NSP

Footcandles Beam Center	Footcandles Beam Edge	Beam Diameter (Ft)	Distance From Wall (Ft)
2224	1115	1.21	4
1423	714	1.51	5
988	496	1.81	6
726	364	2.11	7
556	279	2.41	8
439	220	2.71	9
356	178	3.02	10
294	148	3.32	11
247	124	3.62	12
211	106	3.92	13
182	91	4.22	14
158	79	4.52	15
139	70	4.83	16
123	62	5.13	17
110	55	5.43	18



Catalog Number:
Lamp: 300Watt PAR56/NSP

Footcandles Beam Center	Footcandles Beam Edge	Beam Diameter (Ft)	Distance From Wall (Ft)
1521	764	.80	4
973	489	1.00	5
676	340	1.20	6
497	250	1.40	7
380	191	1.60	8
300	151	1.80	9
243	122	2.00	10
201	101	2.20	11
169	85	2.40	12
144	72	2.60	13
124	62	2.80	14
108	54	3.00	15
95	48	3.20	16
84	42	3.40	17
75	38	3.59	18



Catalog Number:
Lamp: 300Watt PAR56/MFL

Footcandles Beam Center	Footcandles Beam Edge	Beam Diameter (Ft)	Distance From Wall (Ft)
1004	493	1.01	4
643	315	1.26	5
446	219	1.51	6
328	161	1.77	7
251	123	2.02	8
198	97	2.27	9
161	79	2.52	10
133	65	2.78	11
112	55	3.03	12
95	47	3.28	13
82	40	3.53	14
71	35	3.78	15
63	31	4.04	16
56	27	4.29	17
50	24	4.54	18



indy

1300 S. Wolf Road • Des Plaines, IL 60018 • Phone (800) 367-5866 • Fax (888) 708-6578
Visit us at www.junolightinggroup.com

Printed in U.S.A. ©2010 Juno Lighting, LLC.