

## PRODUCT SPECIFICATIONS

### Optics

**Lower Cone:** Self-flanged, clear Alzak® (SACSF) satin cone with low iridescent finish is standard • Other Alzak® satin finishes are available; see trim options

### Electrical

**Transformer:** 277 Volt class 'H' insulated dry type autotransformer, 277V/115V, 150-watt U.L. approved • Maximum of 5.5 watts loss under no load  
**Lamp Holder:** Medium base heavy duty porcelain socket with spring loaded center contact and nickel plated brass screw shell

### Mechanical

**Housing:** Heavy gauge steel with black baked enamel finish. Adjustable socket can be lowered to accommodate Par30 lamp.

**Mounting Frame:** Heavy gauge steel lower housing ring with factory installed spring steel friction clips securely holds cones in ceiling  
 • Accommodates ceilings up to 3/4" thick • Trim collar is available for thicker ceilings; consult factory

**Mounting Bracket:** Mounting brackets have 3" vertical adjustment and accept 1 1/2" C-channel mounting bars • Indy TRU-LOCK bar hangers are supplied standard • For non-accessible ceiling add suffix "825" for 28" "C" channel mounting bars • One-piece Tru-Lock bar hangers have integral T-Bar locking screws and alignment notches for locating and locking fixture in the center or 1/4 tile increments

**Junction Box:** Oversized 4" x 6" galvanized steel junction box with (6) 1/2" and (1) 3/4" knockouts facilitate quick wiring • Junction box rated for eight No. 12 AWG 90° C branch circuit conductors (4-in, 4-out)

### Labels and Listings

UL/C-UL listed for feed through and damp locations • I.B.E.W. Union made

Product specifications subject to change without notice.

## DESIGNER SERIES

### 6" PAR30/38 DOWNLIGHT

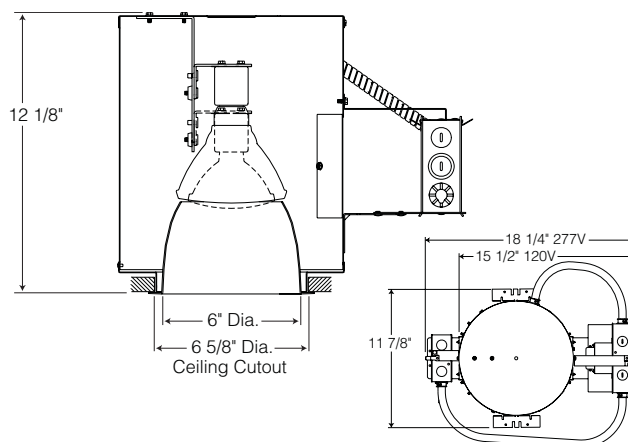
OPEN APERTURE

50-75W PAR30 or 45-150W PAR38

### ID36

Type	Cat. No.
_____	_____
_____	_____
Project: _____	
Notes: _____	

## DIMENSIONS



## ORDERING INFORMATION: Accessories ordered separately.

Example: **ID36-1501-SACSF**

Catalog#	Lamp/Wattage	Trim Options	Options	Accessories
<b>ID36</b>				
<b>ID36</b>	<b>1501</b> 50-70W PAR30, 45-150W PAR38; 120V	<b>Alzak® Satin Finish Options</b> <b>SACSF</b> Clear <b>CGCSF</b> Champagne Gold <b>BACSF</b> Black <b>PACSF</b> Pewter <b>WTCSF</b> Wheat <b>BRCFSF</b> Bronze <b>Painted Finish Options</b> <b>WHCF</b> White Painted Cone	<b>PF</b> Painted Flange Only (White) <b>F</b> Fuse and Fuse Holder <b>†CP</b> Chicago Plenum Approval <b>825</b> 28" 'C' Channel Mounting Bars, Pair	<b>SCA6-*</b> Sloped Ceiling Adapter  *Angle must be specified when ordering. Available in 5°, 10°, 15°, 20°, 25°, 30°. Example: SCA6-15

**OPEN REFLECTOR (120W PAR38 WFL)**

Catalog Number: ID36-1501-SACSF  
PHOTOMETRIC REPORT

Test Number: PR07062502  
Total Luminaire Efficiency: 80.0%  
Luminaire Spacing Criteria: 0.68

Luminaire: Clear Alzak® Satin lower cone. Open bottom.  
Lamps: One (1) OS1 120PAR38/CAP/SPL/WFL55, rated at 1800 lumens.

CIE-Type: Direct

**Initial Footcandles**

Distance to Illuminated Plane (Feet)	Footcandles Beam Center	Footcandles Beam Edge	Beam Diameter
6'	69	27	4.9'
7'	50	20	5.7'
8'	39	15	6.5'
9'	31	12	7.3'
10'	25	10	8.2'
11'	20	8	9.0'
12'	17	7	9.8'
13'	15	6	10.6'
14'	13	5	11.4'
15'	11	4	12.2'

**Luminaire Data**

Ang in Deg	Footlamberts	Candela/M <sup>2</sup>
45	526	1801
55	0	0
65	0	0
75	250	858
85	0	0

**Zonal Lumen Summary**

Zone	Lumens	%Lamp	%Fixture
0-30°	1274	70.8	88.4
0-40°	1418	78.8	98.5
0-60°	1436	79.8	99.7
0-90°	1441	80.0	100.0
90-180°	0	0.0	0.0
0-180°	1441	80.0	100.0

**AVERAGE INITIAL FOOTCANDLES**

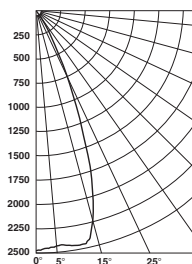
Reflectances: 80% Ceiling, 50% Walls, 20% Floors

Luminaire Spacing	Room Cavity Ratio			
	RCR1	RCR4	RCR8	
5' x 5'	65	55	45	
6' x 6'	45	38	31	
7' x 7'	33	28	23	
8' x 8'	25	21	17	
9' x 9'	20	17	14	
10' x 10'	16	14	11	
11' x 11'	13	11	9	
12' x 12'	11	10	8	

**COEFFICIENTS OF UTILIZATION - % (Zonal Cavity Method)**

Effective Floor Reflectance 20%

RCC	80			70			50			30			10			0		
RW	70	50	30	10	70	50	30	10	50	30	10	50	30	10	50	30	10	0
0	95	95	95	95	93	93	93	93	89	89	89	85	85	85	82	82	82	80
1	91	90	88	86	90	88	86	85	85	83	82	82	81	80	79	78	77	76
2	88	84	82	79	86	83	80	78	80	78	77	78	76	75	76	75	73	72
3	84	80	76	74	83	79	76	73	77	74	72	75	73	71	73	71	70	69
4	81	76	72	69	79	75	71	69	73	70	68	72	69	67	70	68	66	65
5	78	72	68	65	76	71	67	65	70	67	64	69	66	64	67	65	63	62
6	74	68	64	62	73	69	64	61	67	63	61	66	63	61	65	62	60	59
7	72	65	61	58	71	65	61	58	64	60	58	63	60	58	62	59	57	56
8	69	62	58	56	68	62	58	55	61	58	55	60	57	55	60	57	55	54
9	66	60	56	53	65	59	56	53	59	55	53	58	55	53	57	55	52	52
10	64	57	53	51	63	57	53	51	56	53	50	56	53	50	55	52	50	49



**Candlepower Distribution (Candelas)**

Angle	Candela	Lumens
0°	2466	
5°	2426	232
15°	2235	634
25°	884	409
35°	229	144
45°	23	18
55°	0	0
65°	0	0
75°	4	4
85°	0	0

**OPEN REFLECTOR (120W PAR38 FL)**

Catalog Number: ID36-1501-SACSF  
PHOTOMETRIC REPORT

Test Number: PR07062501  
Total Luminaire Efficiency: 79.9%  
Luminaire Spacing Criteria: 0.43

Luminaire: Clear Alzak® Satin lower cone. Open bottom.  
Lamps: One (1) OS1 120PAR38/CAP/SPL/FL30, rated at 1800 lumens.

CIE-Type: Direct

**Initial Footcandles**

Distance to Illuminated Plane (Feet)	Footcandles Beam Center	Footcandles Beam Edge	Beam Diameter
6'	163	78	2.7'
7'	119	57	3.1'
8'	91	44	3.6'
9'	72	35	4.0'
10'	59	28	4.5'
11'	48	23	4.9'
12'	41	20	5.4'
13'	35	7	5.8'
14'	30	14	6.3'
15'	26	13	6.7'

**Luminaire Data**

Ang in Deg	Footlamberts	Candela/M <sup>2</sup>
45	312	1068
55	130	445
65	86	295
75	183	627
85	0	0

**Zonal Lumen Summary**

Zone	Lumens	%Lamp	%Fixture
0-30°	1370	76.1	95.3
0-40°	1418	78.8	98.6
0-60°	1433	79.6	99.6
0-90°	1438	79.9	100.0
90-180°	0	0.0	0.0
0-180°	1438	79.9	100.0

**AVERAGE INITIAL FOOTCANDLES**

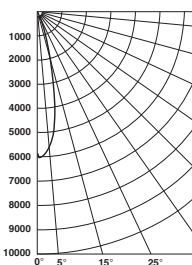
Reflectances: 80% Ceiling, 50% Walls, 20% Floors

Luminaire Spacing	Room Cavity Ratio			
	RCR1	RCR4	RCR8	
5' x 5'	65	57	50	
6' x 6'	45	40	35	
7' x 7'	33	29	25	
8' x 8'	25	22	19	
9' x 9'	20	18	15	
10' x 10'	16	14	12	
11' x 11'	13	12	10	
12' x 12'	11	10	9	

**COEFFICIENTS OF UTILIZATION - % (Zonal Cavity Method)**

Effective Floor Reflectance 20%

RCC	80			70			50			30			10			0		
RW	70	50	30	10	70	50	30	10	50	30	10	50	30	10	50	30	10	0
0	95	95	95	95	93	93	93	93	89	89	89	85	85	85	82	82	82	80
1	92	90	89	87	90	89	87	86	85	84	83	82	82	81	80	79	79	77
2	89	86	84	82	87	85	83	81	82	80	79	80	79	77	78	77	76	75
3	86	82	80	77	85	81	79	77	79	77	75	78	76	74	76	74	73	72
4	83	79	76	74	82	78	76	73	77	74	72	75	73	72	74	72	71	70
5	81	76	73	71	80	76	73	70	74	72	70	73	71	69	72	70	69	68
6	79	74	71	68	78	73	70	68	72	70	68	71	69	67	70	68	67	66
7	77	71	68	66	76	71	68	66	70	67	65	69	67	65	69	66	65	64
8	75	69	66	64	74	69	66	64	68	65	63	68	65	63	67	65	63	62
9	73	67	64	62	72	67	64	62	66	63	62	66	63	62	65	63	61	61
10	71	66	62	60	70	65	62	60	65	62	60	64	62	60	64	61	60	59



**Candlepower Distribution (Candelas)**

Angle	Candela	Lumens
0°	5851	
5°	5618	536
15°	2138	606
25°	492	228
35°	77	48
45°	14	11
55°	5	4
65°	2	2
75°	3	3
85°	0	0

**OPEN REFLECTOR (75W PAR30 FL)**

Catalog Number: ID36-1501-SACSF  
PHOTOMETRIC REPORT

Test Number: PR07062104  
Total Luminaire Efficiency: 92.2%  
Luminaire Spacing Criteria: 0.77

Luminaire: Clear Alzak® Satin lower cone. Open bottom.  
Lamps: One (1) OS1 75PAR30/CAP/SPL/FL40, rated at 1100 lumens.

CIE-Type: Direct

**Initial Footcandles**

Distance to Illuminated Plane (Feet)	Footcandles Beam Center	Footcandles Beam Edge	Beam Diameter
6'	45	17	5.4'
7'	33	12	6.3'
8'	25	10	7.2'
9'	20	8	8.1'
10'	16	6	9.0'
11'	13	5	9.9'
12'	11	4	10.8'
13'	10	4	11.7'
14'	8	3	12.6'
15'	7	3	13.5'

**Luminaire Data**

Ang in Deg	Footlamberts	Candela/M <sup>2</sup>
45	729	2498
55	0	0
65	0	0
75	137	470
85	0	0

**Zonal Lumen Summary**

Zone	Lumens	%Lamp	%Fixture
0-30°	859	78.1	84.7
0-40°	987	89.8	97.3
0-60°	1012	92.0	99.8
0-90°	1015	92.2	100.0
90-180°	0	0.0	0.0
0-180°	1015	92.2	100.0

**AVERAGE INITIAL FOOTCANDLES**

Reflectances: 80% Ceiling, 50% Walls, 20% Floors

Luminaire Spacing	Room Cavity Ratio			
	RCR1	RCR4	RCR8	
5' x 5'	45	38	30	
6' x 6'	31	26	21	
7' x 7'	23	19	15	
8' x 8'	18	15	12	
9' x 9'	14	12	9	
10' x 10'	11	9	8	
11' x 11'	9	8	6	
12' x 12'	8	7	5	

**COEFFICIENTS OF UTILIZATION - % (Zonal Cavity Method)**

Effective Floor Reflectance 20%

RCC	80			70			50			30			10			0		
RW	70	50	30	10	70	50	30	10	50	30	10	50	30	10	50	30	10	0
0	110	110	110	110	107	107	107	107	102	102	102	98	98	98	94	94	94	92
1	105	103	101	99	103	101	99	97	97	96	94	94	93	91	91	90	89	87
2	101	97	93	90	99	95	92	89	92	90	87	89	87	86	87	85	84	82
3	96	91	87	83	94	90	86	83	87	84	81	85	82	80	83	81	79	78
4	92	86	81	78	90	85	80	77	83	79	76	81	78	75	79	77	75	73
5	88	81	76	73	87	80	76	72	79	75	72	77	74	71	76	73	71	69
6	84	77	72	68	83	76	71	68	75	71	68	74	70	67	72	69	67	66
7	81	73	68	64	79	72	68	64	71	67	64	70	66	64	69	66	63	62
8	77	69	64	61	76	69	64	61	68	64	61	67	63	60	66	63	60	59
9	74	66	61	58	73	66	61											