

PRODUCT SPECIFICATIONS

Optics

Two-piece optical system maximizes lamp output while providing excellent glare control

Lower Trim: Self-flanged, specular clear Alzak® (SATSF) satin trim with low iridescent finish is standard • Other Alzak® satin finishes are available; see trim options

Upper Reflector: Faceted, specular clear Alzak® reflector is standard

Lens: Protective clear tempered glass lamp guard is standard.

Electrical

Pre-wired junction box, thermal protection and 200°C, SF-1 wire standard

Lamp Holder: G12 socket base with heavy duty recessed female contacts • 660W, 600V, rated for 5KV pulse.

Ballast: Universal 120/277 Volt electronic solid state, high power factor, reliable starting to -30°C

Mechanical

Housing: Heavy gauge steel with black baked enamel finish.

Mounting Frame: Heavy gauge steel lower housing ring with factory installed spring steel friction clips securely holds cones in ceiling

• Accommodates ceilings up to 3/4" thick • Trim collar is available for thicker ceilings; consult factory

Mounting Bracket: Mounting brackets have 3" vertical adjustment and accept 1 1/2" C-channel mounting bars • Indy TRU-LOCK bar hangers are supplied standard • For non-accessible ceilings specify '825' for 28" 'C' channel mounting bars • One-piece Tru-Lock bar hangers have integral T-bar locking screws and alignment notches for locating and locking fixture in the center or 1/4 tile increments

Junction Box: Oversized 4" x 6" galvanized steel junction box with (6) 1/2" and (1) 3/4" knockouts facilitate quick wiring • Junction box rated for eight No. 12 AWG 90°C branch circuit conductors (4-in, 4-out)

Labels and Listings

UL/C-UL listed for feed through and damp locations • I.B.E.W. Union made

Product specifications subject to change without notice.

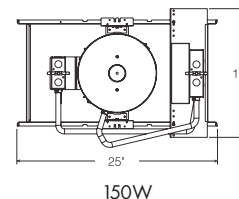
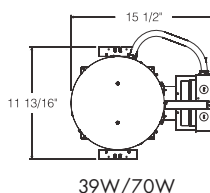
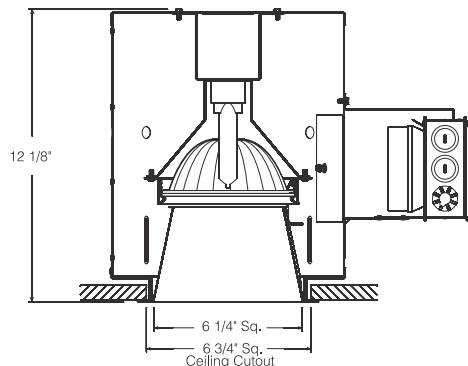
ENGINEERING DATA

Voltage	120V-HPF			277V-HPF			347V-HPF Canada	
	39E	70E	150E	39E	60E	150E	39E	70E
Lamp Wattage	39E	70E	150E	39E	60E	150E	39E	70E
Total input power	46W	78W	167W	46W	78W	167W	†	†
Operating AMPS	.39	.65	1.4	.18	.28	.6	†	†
ANSI Code	M130	M139/ M142/ M143/ M98		M130	M139/ M142 M143/ M102	M98	†	†

DESIGNER SERIES 6" T6 G12 METAL HALIDE OPEN REFLECTOR SQUARE DOWNLIGHT 20W, 39W, 70W, 150W T6 G12 METAL HALIDE HDSQ56

Type	Cat. No.
_____	_____
_____	_____
Project: _____	
Notes: _____	

DIMENSIONS



ORDERING INFORMATION: Accessories ordered separately.

Example: **HDSQ56-70E-SATSF-825**

Catalog#	Lamp/Wattage	Trim Options	Options
HDSQ56			
HDSQ56 T6 MH Lamp	20E 20W, 120/277V Electronic	Alzak® Satin Finish Options¹ SATSF¹ Specular Clear CGTSF¹ Champagne Gold BATSF¹ Black PATSF¹ Pewter WTTSF¹ Wheat BRTSF¹ Bronze Painted Finish Options WHTF White Painted	PF Painted Flange Only (White) **F Fuse and Fuse Holder (Where *** = voltage) †CP Chicago Plenum Approval (Consult factory for availability) 825 28" 'C' Channel Mounting Bars, Pair †347 347 Volt
(E) 150E1	150W, 120V Electronic		
(E) 150E2	150W, 277V Electronic		

(E) Indicates that the product meets DOE energy efficient standards - EISA compliant.
¹ For Specular Trim, remove "S"
(Example: SATF)
† Consult Factory for Availability



1300 South Wolf Road • Des Plaines, Illinois 60018
PHONE 800-367-5866 • FAX 888-708-6578
www.junolightinggroup.com

**OPEN REFLECTOR
(6" T6 METAL HALIDE)**

Catalog Number: HDSQ56-70E-SATSF
PHOTOMETRIC REPORT

Test Number: PR08052401

Total Luminaire Efficiency: 55.2%

Luminaire Spacing Criteria: 0.57

Luminaire: Specular Clear Alzak® satin trim. Open bottom.

Lamp: One (1) Philips 70W, T6 (CDM70/76/942) lamp, rated at 6200 lumens.

CIE-Type: Direct

Initial Footcandles

Distance to Illuminated Plane (feet)	Footcandles Beam Center	Footcandles Beam Edge	Beam Diameter
6'	291	137	3.4'
7'	214	101	4.0'
8'	164	77	4.6'
9'	129	61	5.1'
10'	105	49	5.7'
11'	87	41	6.3'
12'	73	34	6.9'
13'	62	29	7.4'
14'	54	25	8.0'
25'	47	22	8.6'

AVERAGE INITIAL FOOTCANDLES

Reflectances: 80% Ceiling, 50% Walls, 20% Floors

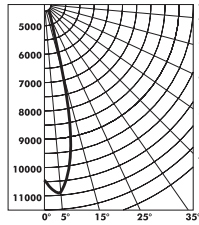
Luminaire Spacing	Room Cavity Ratio		
	RCR1	RCR4	RCR8
5' x 5'	154	136	117
6' x 6'	107	95	81
7' x 7'	78	70	59
8' x 8'	60	53	46
9' x 9'	47	42	36
10' x 10'	38	34	29
11' x 11'	32	28	24
12' x 12'	27	24	20

$$RCR = \frac{5H(L+W)}{L \times W}$$

H = Height to work plane

L = Length of room

W = Width of room



Candlepower Distribution

Angle (Candelas)	Candela	Lumens
0°	10482	-
5°	10936	1044
15°	6255	1773
25°	1025	475
35°	132	83
45°	49	38
55°	6	6
65°	3	3
75°	0	0
85°	0	0

Luminance Data

Ang in Deg	Footlamberts	Candela/M ²
45°	807	2765
55°	130	446
65°	78	269
75°	0	0
85°	0	0

Zonal Lumen Summary

Zone	Lumens	%Lamp	%Fixture
0-30°	3292	53.1	96.2
0-40°	3374	54.4	98.6
0-60°	3418	55.1	99.9
0-90°	3421	55.2	100.0
90-180°	0	0.0	0.0
0-180°	3421	55.2	100.0

COEFFICIENTS OF UTILIZATION - % (Zonal Cavity Method)

Effective Floor Reflectance 20%

RCC	80		70		50		30		10		0							
	70	50	30	10	70	50	30	10	50	30	10	0						
0	66	66	66	66	64	64	64	64	61	61	61	59	59	59	56	56	56	55
1	63	62	61	60	62	61	60	59	59	58	58	57	56	56	55	55	54	53
2	61	59	58	56	60	58	57	56	57	56	54	55	54	53	54	53	52	51
3	59	57	55	53	58	56	54	53	55	53	52	53	52	51	52	51	50	50
4	58	55	52	51	57	54	52	50	53	51	50	52	50	49	51	50	49	48
5	56	53	50	49	55	52	50	48	51	49	48	50	49	48	50	48	47	47
6	54	51	48	47	53	50	48	47	50	48	46	49	47	46	48	47	46	45
7	53	49	47	45	52	49	46	45	48	46	45	47	46	45	47	45	44	44
8	51	47	45	44	51	47	45	43	47	45	43	46	44	43	46	44	43	42
9	50	46	44	42	49	46	44	42	45	43	42	45	43	42	45	43	42	41
10	48	45	42	41	48	44	42	41	44	42	41	44	42	41	43	42	41	40



indy™

1300 S. Wolf Road • Des Plaines, IL 60018 • Phone (800) 367-5866 • Fax (888) 708-6578

Visit us at www.junolightinggroup.com

Printed in U.S.A. ©2009 Juno Lighting, LLC.