

PRODUCT SPECIFICATIONS
Optics

Two-piece optical system maximizes lamp output while providing excellent glare control

Lower Trim: Self-flanged, specular clear Alzak® (SATSF) satin trim with low iridescent finish is standard • Other Alzak® satin finishes are available; see trim options

Upper Reflector: Faceted, specular clear Alzak® spot reflector is standard • Other reflector options are available; see options

Lens: Protective clear tempered glass lamp guard is standard.

Electrical

Pre-wired junction box, thermal protection and 200°C, SF-1 wire standard

Lamp Holder: G12 socket base with heavy duty recessed female contacts • 660W, 600V, rated for 5KV pulse.

Ballast: Universal 120/277 Volt electronic solid state, high power factor, reliable starting to -30°C

Mechanical

Adjustability: Yoke assembly allows 355° rotation and up to 45° tilt of lamp • Rotation and tilt locking are standard

Housing: Heavy gauge steel with black baked enamel finish.

Mounting Frame: Heavy gauge steel lower housing ring with factory installed spring steel friction clips securely holds cones in ceiling

• Accommodates ceilings up to 3/4" thick; ceiling thickness adapter accessory is available for ceilings up to 2"

Mounting Bracket: Mounting brackets have 3" vertical adjustment and accept 1 1/2" C-channel mounting bars • Indy TRU-LOCK bar hangers are supplied standard • For non-accessible ceilings specify '825' for 28" 'C' channel mounting bars • One-piece Tru-Lock bar hangers have integral

T-bar locking screws and alignment notches for locating and locking fixture in the center or 1/4 tile increments

Junction Box: Ballast mounted to J-box cover for optimal heat dissipation and serviceability from below the ceiling • Oversized 4" x 6" galvanized steel junction box with (6) 1/2" and (1) 3/4" knockouts facilitate quick wiring

• Junction box rated for eight No. 12 AWG 90 ° C branch circuit conductors (4-in, 4-out)

Labels and Listings

UL/C-UL listed for feed through and damp locations • I.B.E.W. Union made

Product specifications subject to change without notice.

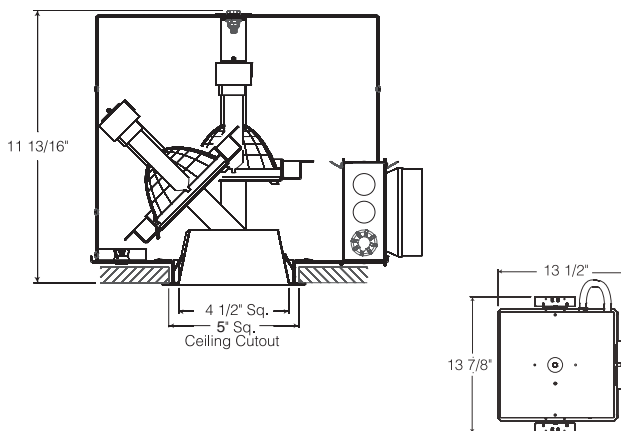
ENGINEERING DATA

Voltage	120V-HPF		277V-HPF		347V-HPF Canada	
	39E	70E	39E	70E	39E	70E
Lamp Wattage	46W	78W	46W	78W	†	†
Total input power	.39	.65	.18	.28	†	†
Operating AMPS	M130	M139/ M143/ M98	M130	M139 M143 M98	†	†
ANSI Code						

DESIGNER SERIES 4" T6 G12 METAL HALIDE INTERNALLY ADJUSTABLE SQUARE ACCENT LIGHT

20W, 39W, 70W
T6 G12 METAL HALIDE
HASQ54

Type	Cat. No.
_____	_____
_____	_____
Project: _____	
Notes: _____	

DIMENSIONS

ORDERING INFORMATION: Accessories ordered separately.

Example: **HASQ54-70E-SATSF-825**

Catalog#	Lamp/Wattage	Trim Options	Options
HASQ54	- [] -	- [] -	- [] -
HASQ54 T6 MH Lamp	20E 20W, 120/277V Electronic	Alzak® Satin Finish Options¹ SATSF¹ Specular Clear CGTSF¹ Champagne Gold BATSF¹ Black PATSF¹ Pewter WTTSF¹ Wheat BRTSF¹ Bronze Painted Finish Options WHTF White Painted	PF Painted Flange Only (White) FL Flood Reflector MFL Medium Flood Reflector ***F Fuse and Fuse Holder (Where *** = voltage) †CP Chicago Plenum Approval (Consult factory for availability) 825 28" 'C' Channel Mounting Bars, Pair †347 347 Volt

Example: **852-LVR-CF-B**

Accessories
852- Accessory Holder (Holds up to two accessories)
PGL - Prismatic Glass Lens
LSL - Linear Spread Lens
CF - Color Filter (Specify color)
R - Red
P - Pink
B - Light Blue
MB - Medium Blue
A - Amber
G - Green
LVR - Louver

† Consult Factory for Availability

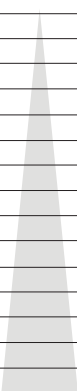
¹ For Specular Trim, remove "S" (Example: SATF)

LAMP DATA

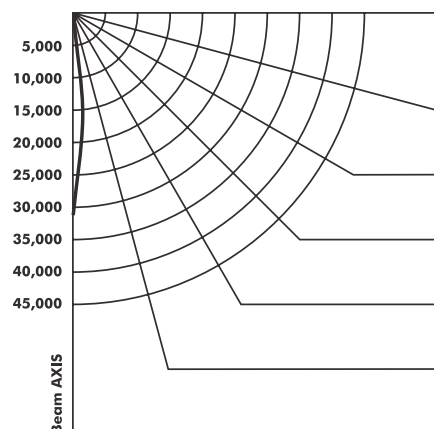
Beam spreads plotted at 50% maximum candlepower; footcandles at 0° aiming angle.
Values are based on nominal conditions and may change with field or manufacturing variables.

70W T6 MEDAL HALIDE SPOT

Footcandles Beam Center	Footcandles Beam Edge	Beam Diameter (ft)	Distance From Wall (ft)
1915	965	0.83	4
1225	618	1.0	5
851	429	1.2	6
625	315	1.4	7
479	241	1.6	8
378	191	1.9	9
306	155	2.1	10
253	128	2.3	11
213	107	2.5	12
181	91	2.7	13
156	79	2.9	14
136	69	3.1	15
120	60	3.3	16
106	53	3.5	17
95	48	3.7	18



CANDLEPOWER DISTRIBUTION (candelas)



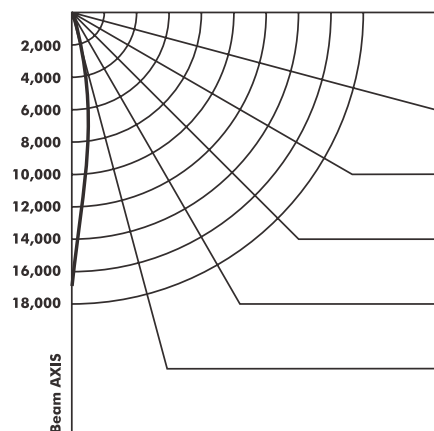
Vertical Angle	Candela
90°	0
85°	0
80°	3
75°	0
70°	0
65°	0
60°	0
55°	0
50°	0
45°	3
40°	19
35°	50
30°	94
25°	275
20°	1,013
15°	3,280
10°	8,210
5°	17,988
0°	30,636

70W T6 MEDAL HALIDE MEDIUM FLOOD

Footcandles Beam Center	Footcandles Beam Edge	Beam Diameter (ft)	Distance From Wall (ft)
1039	514	16.	4
665	329	2.0	5
482	229	2.3	6
339	168	2.7	7
280	129	3.1	8
205	102	3.5	9
166	82	3.9	10
137	68	4.3	11
115	57	4.7	12
98	49	5.1	13
85	42	5.5	14
74	37	5.9	15
65	32	6.3	16
57	29	6.7	17
51	25	7.1	18



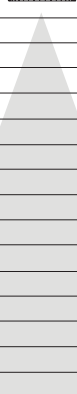
CANDLEPOWER DISTRIBUTION (candelas)



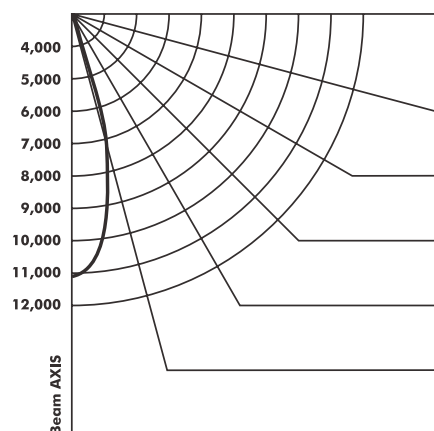
Vertical Angle	Candela
90°	0
85°	0
80°	0
75°	1
70°	0
65°	0
60°	0
55°	0
50°	1
45°	4
40°	13
35°	49
30°	110
25°	410
20°	1,610
15°	4,711
10°	9,915
5°	14,668
0°	16,616

70W T6 MEDAL HALIDE FLOOD

Footcandles Beam Center	Footcandles Beam Edge	Beam Diameter (ft)	Distance From Wall (ft)
689	348	2.2	4
441	223	2.8	5
306	144	3.3	6
225	106	3.9	7
172	81	4.4	8
136	64	5.0	9
110	52	5.5	10
91	43	6.1	11
77	36	6.6	12
65	31	7.2	13
56	26	7.7	14
49	23	8.3	15
43	22	8.9	16
38	19	9.4	17
34	17	10.0	18



CANDLEPOWER DISTRIBUTION (candelas)



Vertical Angle	Candela
90°	0
85°	0
80°	0
75°	0
70°	0
65°	0
60°	2
55°	2
50°	4
45°	7
40°	23
35°	58
30°	214
25°	1,009
20°	3,069
15°	6,102
10°	9,039
5°	10,847
0°	11,029