

**PRODUCT SPECIFICATIONS**
**Optics**

Two-piece optical system maximizes lamp output while providing excellent glare control

**Lower Trim:** Self-flanged, specular clear Alzak® (SATSF) satin trim with low iridescent finish is standard • Other Alzak® satin finishes are available; see trim options

**Upper Reflector:** Faceted, specular clear Alzak® reflector is standard

**Lens:** Protective clear tempered glass lamp guard is standard.

**Electrical**

Pre-wired junction box, thermal protection and 200°C, SF-1 wire standard

**Lamp Holder:** G12 socket base with heavy duty recessed female contacts • 660W, 600V, rated for 5KV pulse.

**Ballast:** Universal 120/277 Volt electronic solid state, high power factor, reliable starting to -30°C

**Mechanical**

**Housing:** Heavy gauge steel with black baked enamel finish.

**Mounting Frame:** Heavy gauge steel lower housing ring with factory installed spring steel friction clips securely holds cones in ceiling

• Accommodates ceilings up to 3/4" thick • Trim collar is available for thicker ceilings; consult factory

**Mounting Bracket:** Mounting brackets have 3" vertical adjustment and accept 1 1/2" C-channel mounting bars • Indy TRU-LOCK bar hangers are supplied standard • For non-accessible ceilings specify '825' for 28" 'C' channel mounting bars • One-piece Tru-Lock bar hangers have integral T-bar locking screws and alignment notches for locating and locking fixture in the center or 1/4 tile increments

**Junction Box:** Oversized 4" x 6" galvanized steel junction box with (6) 1/2" and (1) 3/4" knockouts facilitate quick wiring • Junction box rated for eight No. 12 AWG 90 °C branch circuit conductors (4-in, 4-out)

**Labels and Listings**

UL/C-UL listed for feed through and damp locations • I.B.E.W. Union made

Product specifications subject to change without notice.

**ENGINEERING DATA**

Voltage	120V-HPF		277V-HPF		347V-HPF Canada	
	39E	70E	39E	70E	39E	70E
Lamp Wattage	46W	78W	46W	78W	†	†
Total input power	.39	.65	.18	.28	†	†
Operating AMPS	M130	M139/ M143/ M98	M130	M139	†	†
ANSI Code						

**ORDERING INFORMATION:** Accessories ordered separately.

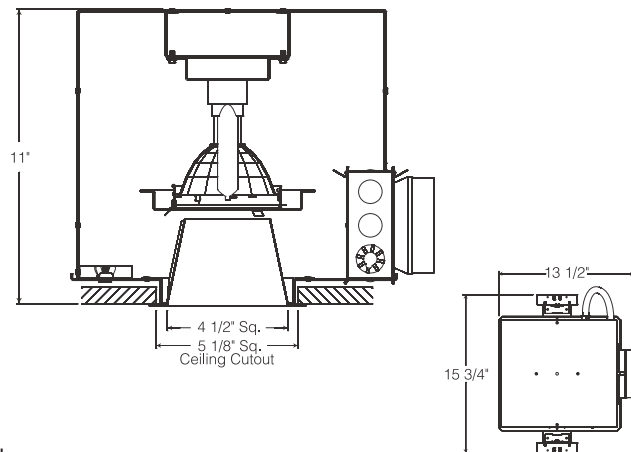
Example: **HDSQ54-70E-SATSF-825**

Catalog#	Lamp/Wattage	Trim Options	Options
<b>HDSQ54</b> T6 MH Lamp	<b>20E</b> 20W, 120/277V Electronic	<b>Alzak® Satin Finish Options'</b> <b>SATSF'</b> Specular Clear <b>CGTSF'</b> Champagne Gold <b>BATSF'</b> Black <b>PATSF'</b> Pewter <b>WTTSF'</b> Wheat <b>BRTSF'</b> Bronze <b>Painted Finish Options</b> <b>WHTF</b> White Painted	<b>PF</b> Painted Flange Only (White) <b>***F</b> Fuse and Fuse Holder (Where *** = voltage) <b>†CP</b> Chicago Plenum Approval (Consult factory for availability) <b>825</b> 28" 'C' Channel Mounting Bars, Pair <b>†347</b> 347 Volt
	<b>39E</b> 39W, 120/277V Electronic		
	<b>70E</b> 70W, 120/277V Electronic		

# DESIGNER SERIES 4" T6 G12 METAL HALIDE OPEN REFLECTOR SQUARE DOWNLIGHT

20W, 39W, 70W  
T6 G12 METAL HALIDE  
**HDSQ54**

Type	Cat. No.
_____	_____
_____	_____
Project: _____	
Notes: _____	

**DIMENSIONS**


† Consult Factory for Availability  
 † For Specular Trim, remove "S" (Example: SATF)

**OPEN REFLECTOR  
(4" T6 METAL HALIDE)**

**Catalog Number:** HDSQ54-70E-SATSF (Medium Flood)

**PHOTOMETRIC REPORT**

**Test Number:** PR08051603

**Total Luminaire Efficiency:** 52.8%

**Luminaire Spacing Criteria:** 0.53

**Luminaire:** Specular Clear Alzak® satin trim. Open bottom.

**Lamp:** One (1) Philips 70W, T6 (CDM70/76/94Z) lamp, rated at 6200 lumens.

**CIE-Type:** Direct

**Initial Footcandles**

Distance to Illuminated Plane (feet)	Footcandles Beam Center	Footcandles Beam Edge	Beam Diameter
6'	306	144	3.3'
7'	225	106	3.9'
8'	172	81	4.4'
9'	136	64	5.0'
10'	110	52	5.5'
11'	91	43	6.1'
12'	77	36	6.6'
13'	65	31	7.2'
14'	56	26	7.7'
15'	49	23	8.3'

**AVERAGE INITIAL FOOTCANDLES**

Reflectances: 80% Ceiling, 50% Walls, 20% Floors

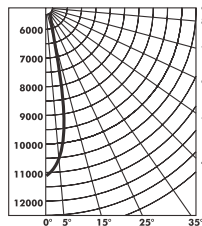
Luminaire Spacing	Room Cavity Ratio		
	RCR1	RCR4	RCR8
5' x 5'	149	131	114
6' x 6'	103	91	79
7' x 7'	76	67	58
8' x 8'	58	51	45
9' x 9'	46	41	35
10' x 10'	37	33	29
11' x 11'	31	27	24
12' x 12'	26	23	20

$$RCR = \frac{5H(L+W)}{L \times W}$$

H = Height to work plane

L = Length of room

W = Width of room



**Candlepower Distribution (Candelas)**

Angle	Candela	Lumens
0°	11029	-
5°	10847	1035
15°	6102	1730
25°	1009	467
35°	58	36
45°	7	5
55°	2	2
65°	0	0
75°	0	0
85°	0	0

**Luminance Data**

Ang in Deg	Footlamberts	Candela/M <sup>2</sup>
45°	219	750
55°	95	325
65°	0	0
75°	0	0
85°	0	0

**Zonal Lumen Summary**

Zone	Lumens	%Lamp	%Fixture
0-30°	3654	58.9	98.2
0-40°	3701	59.7	99.4
0-60°	3722	60.0	100.0
0-90°	3722	60.0	100.0
90-180°	0	0.0	0.0
0-180°	3722	60.0	100.0

**COEFFICIENTS OF UTILIZATION - % (Zonal Cavity Method)**

Effective Floor Reflectance 20%

RCC	80		70		50		30		10		0							
	70	50	30	10	70	50	30	10	50	30	10	0						
0	63	63	63	63	61	61	61	61	59	59	59	56	56	56	54	54	54	53
1	61	60	59	58	60	59	58	57	56	56	55	55	54	54	53	52	52	51
2	59	57	55	54	58	56	55	54	54	53	52	53	52	51	52	51	50	50
3	57	55	53	51	56	54	52	51	53	51	50	51	50	49	50	49	49	48
4	55	53	51	49	55	52	50	49	51	49	48	50	49	48	49	48	47	46
5	54	51	49	47	53	50	48	47	49	48	46	49	47	46	48	47	46	45
6	52	49	47	45	52	49	47	45	48	46	45	47	46	45	47	45	44	44
7	51	47	45	44	50	47	45	44	47	45	43	46	44	43	46	44	43	43
8	49	46	44	42	49	46	44	42	45	43	42	45	43	42	44	43	42	41
9	48	45	43	41	48	44	42	41	44	42	41	44	42	41	43	42	41	40
10	47	43	41	40	46	43	41	40	43	41	40	43	41	40	42	41	40	39

Multiplier: 39W = 0.55



**indy™**

1300 S. Wolf Road • Des Plaines, IL 60018 • Phone (800) 367-5866 • Fax (888) 708-6578

Visit us at [www.junolightinggroup.com](http://www.junolightinggroup.com)

Printed in U.S.A. ©2008 Juno Lighting, LLC.