

PRODUCT SPECIFICATIONS

Optics

Lower Cone: Self-flanged, specular clear Alzak® (SACSF) satin cone with low iridescent finish is standard • Other Alzak® satin finishes are available; see trim options

Electrical

Pre-wired junction box, thermal protection and 200°C, SF-1 wire standard
Lampholder: Medium base heavy duty 4KV porcelain socket with nickel-plated brass screw shell
Ballast: Universal 120/277 Volt electronic solid state, high power factor, reliable starting to -30°C

Mechanical

Housing: Heavy gauge steel with black baked enamel finish
Mounting Frame: Heavy gauge steel lower housing ring with factory installed spring steel friction clips securely holds cones in ceiling
 • Accommodates ceilings up to 3/4" thick • Trim collar is available for thicker ceilings; consult factory
Mounting Bracket: Mounting brackets have 3" vertical adjustment and accept 1 1/2" C-channel mounting bars • Indy TRU-LOCK bar hangers are supplied standard • For non-accessible ceiling add suffix "825" for 28" "C" channel mounting bars • One-piece Tru-Lock bar hangers have integral T-Bar locking screws and alignment notches for locating and locking fixture in the center or 1/4 tile increments
Junction Box: Oversized 4" x 6" galvanized steel junction box with (6) 1/2" and (1) 3/4" knockouts facilitate quick wiring • Junction box rated for eight No. 12 AWG 90 °C branch circuit conductors (4-in, 4-out)

Labels and Listings

UL/C-UL listed for feed through and damp locations • I.B.E.W. Union made

Product specifications subject to change without notice.

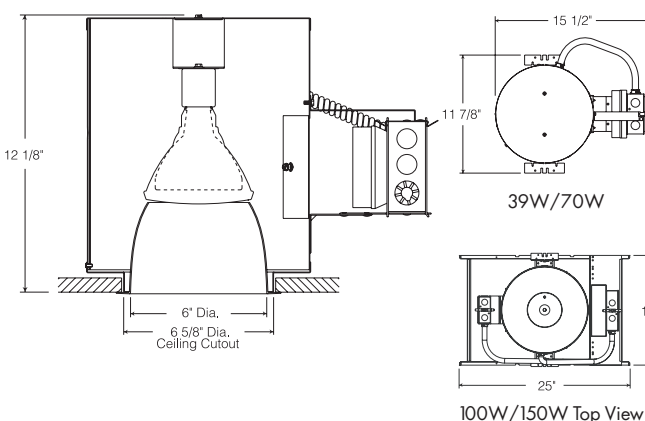
ENGINEERING DATA

Voltage	120V-HPF				277V-HPF				347V-HPF Canada			
Lamp Wattage	39E	70E	100E	150E	39E	70E	100E	150E	39E	70E	100E	150E
Total input power	44W	78W	110W	167W	44W	78W	110W	167W	45W	78W	110W	164W
Operating AMPS	0.37	0.67	0.94	1.40	0.17	0.29	0.42	0.61	0.14	0.23	0.32	0.47
ANSI Code	M100	M143	M140	M102	M100	M143	M140	M102	M100	M143	M140	M102
		M98	M90	M142		M98	M90	M142		M98	M90	M142

DESIGNER SERIES 6" PAR30/38 METAL HALIDE OPEN REFLECTOR DOWNLIGHT 39W, 70W, 100W, 150W PAR30/38 METAL HALIDE HDB6

Type	Cat. No.
_____	_____
_____	_____
Project: _____	
Notes: _____	

DIMENSIONS



ORDERING INFORMATION: Accessories ordered separately.

Example: **HDB6-70E-SACSF**

Catalog#	Lamp/Wattage	Trim Options	Options	Accessories
HDB6				
HDB6	39E 39W, PAR30 120/277V Electronic	Alzak® Satin Finish Options SACSF Clear CGCSF Champagne Gold BACSF Black PACSF Pewter WTCSF Wheat BRCSF Bronze Painted Finish Options WHCF White Painted Cone	PF Painted Flange Only (White) ** F Fuse and Fuse Holder (Where *** = voltage) †CP Chicago Plenum Approval 825 28" 'C' Channel Mounting Bars, Pair †347 347 Volt	SCA6-* Sloped Ceiling Adapter *Angle must be specified when ordering. Available in 5 , 10 , 15 , 20 , 25 , 30 . Example: SCA6-30
(E) 150E1	150W, PAR38 120V Electronic			
(E) 150E2	150W, PAR38 277V Electronic			

(E) Indicates that the product meets DOE energy efficient standards - EISA compliant.

† Consult Factory for Availability

1/09

**OPEN REFLECTOR
(6" PAR30 METAL HALIDE)**

Catalog Number: HDB6-70E-SACSF (70W PAR30 Flood)

PHOTOMETRIC REPORT

Test Number: PR03051803

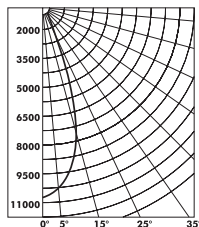
Total Luminaire Efficiency: 92.2%

Luminaire Spacing Criteria: 0.64

Luminaire: Specular Clear Alzak® satin lower cone. Open bottom.

Lamp: One (1) Philips 70W, PAR30 (CDM70/830/PAR30/M/FL) lamp, rated at 4850 lumens.

CIE-Type: Direct



Candlepower Distribution (Candelas)			
Angle	Candela	Lumens	
0°	10850	-	-
5°	10700	1021	
15°	7581	2149	
25°	2420	1120	
35°	242	152	
45°	25	19	
55°	4	4	
65°	5	5	
75°	0	0	
85°	0	0	

Initial Footcandles

Distance to Illuminated Plane (Feet)	Footcandles Beam Center	Footcandles Beam Edge	Beam Diameter
11'	89.7	39.8	7.51'
12'	75.3	33.5	8.19'
13'	64.2	28.5	8.87'
14'	55.4	24.6	9.55'
15'	48.2	21.4	10.23'
16'	42.4	18.8	10.92'
17'	37.5	16.7	11.60'
18'	33.5	14.9	12.28'
19'	30.1	13.4	12.96'
20'	27.1	12.1	13.65'

Luminance Data

Ang in Deg	Footlamberts	Candela/M ²
45°	561	1923
55°	121	414
65°	176	602
75°	0	0
85°	0	0

Zonal Lumen Summary

Zone	Lumens	%Lamp	%Fixture
0-30°	4291	88.5	96.0
0-40°	4442	91.6	99.4
0-60°	4465	92.1	99.9
0-90°	4470	92.2	100.0
90-180°	0	0.0	0.0
0-180°	4470	92.2	100.0

AVERAGE INITIAL FOOTCANDLES

Reflectances: 80% Ceiling, 50% Walls, 20% Floors

Luminaire Spacing	Room Cavity Ratio		
	RCR1	RCR4	RCR8
5' x 5'	202	173	147
6' x 6'	140	120	102
7' x 7'	103	88	75
8' x 8'	79	67	58
9' x 9'	62	53	46
10' x 10'	50	43	37
11' x 11'	42	36	30
12' x 12'	35	30	26

COEFFICIENTS OF UTILIZATION - % (Zonal Cavity Method)

Effective Floor Reflectance 20%

RCC	80		70		50		30		10		0							
RW	70	50	30	10	70	50	30	10	50	30	10	50	30	10	0			
0	110	110	110	110	107	107	107	107	102	102	102	98	98	98	94	94	94	92
1	106	104	102	100	104	102	100	99	98	97	95	95	94	93	91	91	90	88
2	102	98	95	93	100	97	94	92	94	92	90	91	90	88	89	87	86	85
3	98	94	90	87	97	92	89	87	90	87	85	88	86	84	86	84	83	81
4	95	89	86	82	93	88	85	82	87	84	81	85	82	80	83	81	79	78
5	92	86	82	78	90	85	81	78	83	80	77	82	79	77	81	78	76	75
6	88	82	78	75	87	82	78	75	80	77	74	79	76	74	78	75	73	72
7	85	79	75	72	84	78	74	72	77	74	71	76	73	71	75	73	71	70
8	83	76	72	69	82	76	72	69	75	71	69	74	71	68	73	70	68	67
9	80	73	69	66	79	73	69	66	72	69	66	71	68	66	71	68	66	65
10	78	71	67	64	77	70	66	64	70	66	64	69	66	64	69	66	63	62

**OPEN REFLECTOR
(6" PAR30 METAL HALIDE)**

Catalog Number: HDB6-70E-SACSF (70W PAR30 Spot)

PHOTOMETRIC REPORT

Test Number: PR03051804

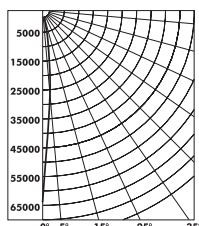
Total Luminaire Efficiency: 83.4%

Luminaire Spacing Criteria: 0.14

Luminaire: Specular Clear Alzak® satin lower cone. Open bottom.

Lamp: One (1) Philips 70W, PAR30 (CDM70/PAR30/SP/3K) lamp, rated at 4800 lumens.

CIE-Type: Direct



Candlepower Distribution (Candelas)			
Angle	Candela	Lumens	
0°	64325	-	-
5°	25513	2435	
15°	3920	1111	
25°	654	303	
35°	175	110	
45°	46	36	
55°	6	6	
65°	0	0	
75°	3	3	
85°	0	0	

Initial Footcandles

Distance to Illuminated Plane (Feet)	Footcandles Beam Center	Footcandles Beam Edge	Beam Diameter
11'	531.6	266.6	1.58'
12'	446.7	224.0	1.72'
13'	380.6	190.9	1.87'
14'	328.2	164.6	2.01'
15'	285.9	143.4	2.15'
16'	251.3	126.0	2.30'
17'	222.6	111.6	2.44'
18'	198.5	99.6	2.58'
19'	178.2	89.4	2.73'
20'	160.8	80.6	2.87'

Luminance Data

Ang in Deg	Footlamberts	Candela/M ²
45°	1050	3598
55°	176	603
65°	0	0
75°	200	685
85°	0	0

Zonal Lumen Summary

Zone	Lumens	%Lamp	%Fixture
0-30°	3849	80.2	96.1
0-40°	3959	82.5	98.9
0-60°	4001	83.4	99.9
0-90°	4004	83.4	100.0
90-180°	0	0.0	0.0
0-180°	4004	83.4	100.0

AVERAGE INITIAL FOOTCANDLES

Reflectances: 80% Ceiling, 50% Walls, 20% Floors

Luminaire Spacing	Room Cavity Ratio		
	RCR1	RCR4	RCR8
5' x 5'	182	165	150
6' x 6'	127	115	104
7' x 7'	93	84	76
8' x 8'	71	65	59
9' x 9'	56	51	46
10' x 10'	46	41	37
11' x 11'	38	34	31
12' x 12'	32	29	26

COEFFICIENTS OF UTILIZATION - % (Zonal Cavity Method)

Effective Floor Reflectance 20%

RCC	80		70		50		30		10		0							
RW	70	50	30	10	70	50	30	10	50	30	10	50	30	10	0			
0	99	99	99	99	97	97	97	97	93	93	93	89	89	89	85	85	85	83
1	96	95	94	92	95	93	92	91	90	89	88	87	86	86	84	84	83	82
2	94	91	89	87	92	90	88	86	87	86	85	85	84	83	83	82	81	80
3	92	88	86	84	90	87	85	83	85	83	82	83	82	81	82	80	79	78
4	90	86	83	81	88	85	82	80	83	81	80	82	80	79	80	79	78	77
5	88	84	81	79	87	83	80	78	82	79	78	80	79	77	79	78	76	76
6	86	82	79	77	85	81	78	76	80	78	76	79	77	76	78	76	75	74
7	84	80	77	75	83	79	77	75	79	76	75	78	76	74	77	75	74	73
8	83	78	75	74	82	78	75	73	77	75	73	76	74	73	76	74	73	72
9	81	77	74	72	81	76	74	72	76	74	72	75	73	72	75	73	72	71
10	80	75	73	71	79	75	73	71	75	72	71	74	72	71	74	72	71	70



indy

1300 S. Wolf Road • Des Plaines, IL 60018 • Phone (800) 367-5866 • Fax (888) 708-6578

Visit us at www.junolightinggroup.com

Printed in U.S.A. ©2009 Juno Lighting, LLC.