

## PRODUCT SPECIFICATIONS

### Optics

Two-piece optical system maximizes lamp output while providing excellent glare control

**Lower Cone:** Self-flanged, specular clear Alzak® (SACSF) satin cone with low iridescent finish is standard • Other Alzak® satin finishes are available; see trim options

**Upper Reflector:** Faceted, specular clear Alzak® reflector is standard.

### Electrical

Pre-wired junction box, thermal protection and 200°C, SF-1 wire standard  
 • Medium base heavy duty 4KV porcelain socket with nickel-plated brass screw shell. Socket prevents the use of non-containment type metal halide lamps

**Ballast:** Universal 120/277 Volt electronic solid state, high power factor, reliable starting to -30°C

### Mechanical

**Housing:** Heavy gauge steel with black baked enamel finish

**Mounting Frame:** Heavy gauge steel lower housing ring with factory installed spring steel friction clips securely holds cones in ceiling

• Accommodates ceilings up to 3/4" thick • Trim collar is available for thicker ceilings; consult factory

**Mounting Bracket:** Mounting brackets have 3" vertical adjustment and accept 1 1/2" C-channel mounting bars • Indy TRU-LOCK bar hangers are supplied standard • For non-accessible ceiling add suffix "825" for 28" "C" channel mounting bars • One-piece Tru-Lock bar hangers have integral T-Bar locking screws and alignment notches for locating and locking fixture in the center or 1/4 tile increments

**Junction Box:** Oversized 4" x 6" galvanized steel junction box with (6) 1/2" and (1) 3/4" knockouts facilitate quick wiring • Junction box rated for eight No. 12 AWG 90 ° C branch circuit conductors (4-in, 4-out)

### Labels and Listings

UL/C-UL listed for feed through and damp locations • I.B.E.W. Union made

Product specifications subject to change without notice.

## ENGINEERING DATA

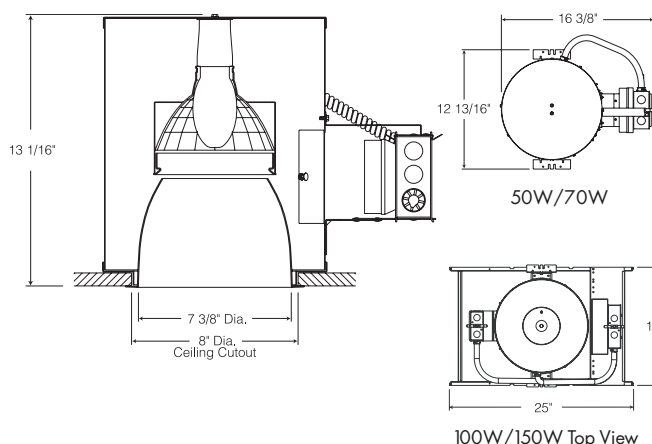
Voltage	120V-HPF				277V-HPF				347V-HPF Canada			
	50E	70E	100E	150E	50E	70E	100E	150E	50E	70E	100E	150E
Lamp Wattage	50E	70E	100E	150E	50E	70E	100E	150E	50E	70E	100E	150E
Total input power	58W	78W	110W	167W	58W	78W	110W	167W	-	78W	110W	164W
Operating AMPS	0.49	0.67	0.94	1.40	0.21	0.29	0.42	0.61	-	0.23	0.32	0.47
ANSI Code	M148	M143	M140	M102	M148	M140	M140	M102	M148	M143	M140	M102
	M110	M98	M90	M142	M110	M98	M90	M142	M110	M98	M90	M142

# DESIGNER SERIES 8" ED17 METAL HALIDE OPEN REFLECTOR DOWNLIGHT

50W, 70W, 100W, 150W  
CLEAR METAL HALIDE  
**HD38**

Type	Cat. No.
_____	_____
_____	_____
Project: _____	
Notes: _____	

## DIMENSIONS



## ORDERING INFORMATION: Accessories ordered separately.

Example: **HD38-70E-SACSF-F-825**

Catalog#	Lamp/Wattage	Trim Options	Options	Accessories
<b>HD38</b>	- [ ] -	- [ ] -	- [ ] -	[ ]
<b>HD38</b>	<b>50E</b> 50W ED17 Coated, Protected MH 120/277V Electronic	<b>Alzak® Satin Finish Options</b> <b>SACSF</b> Clear <b>CGCSF</b> Champagne Gold <b>BACSF</b> Black <b>PACSF</b> Pewter <b>WTCFSF</b> Wheat <b>BRCSF</b> Bronze <b>Painted Finish Options</b> <b>WHCF</b> White Painted Cone	<b>PF</b> Painted Flange Only (White) <b>***F</b> Fuse and Fuse Holder (Where *** = voltage) <b>†CP</b> Chicago Plenum Approval <b>825</b> 28" "C" Channel Mounting Bars, Pair <b>†347</b> 347 Volt	<b>SCA8-*</b> Sloped Ceiling Adapter  *Angle must be specified when ordering. Available in 5, 10, 15, 20, 25, 30. Example: SCA8-30
<b>HD38</b>	<b>70E</b> 70W ED17 Coated, Protected MH 120/277V Electronic			
<b>HD38</b>	<b>100E</b> 100W ED17 Coated, Protected MH 120/277V Electronic			
<b>HD38</b>	<b>150E1</b> 150W ED17 Coated, Protected MH 120V Electronic			
<b>HD38</b>	<b>150E2</b> 150W ED17 Coated, Protected MH 277V Electronic			

ⓔ Indicates that the product meets DOE energy efficient standards - EISA compliant.

† Consult Factory for Availability

1/09

**OPEN REFLECTOR  
(8" ED17 METAL HALIDE)**

**Catalog Number:** HD38-100E-SACSF  
**PHOTOMETRIC REPORT**

**Test Number:** PR04052901

**Total Luminaire Efficiency:** 46.6%

**Luminaire Spacing Criteria:** 0.35

**Luminaire:** Specular Clear Alzak® satin lower cone with fluted, diffused Alzak® flood upper reflector. Open bottom.

**Lamp:** One (1) Philips 100W, ED17 Clear Metal Halide (MHC100/U/MP/3K), rated at 8800 lumens.

**CIE-Type:** Direct

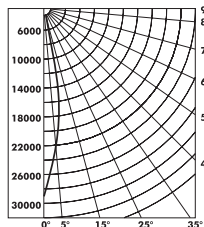
**Initial Footcandles**

Distance to Illuminated Plane (Feet)	Footcandles Beam Center	Footcandles Beam Edge	Beam Diameter
9'	358.6	171.0	3.21'
10'	290.4	138.5	3.57'
11'	240.0	114.5	3.93'
12'	201.7	96.2	4.28'
13'	171.9	82.0	4.64'
14'	148.2	70.7	5.00'
15'	129.1	61.6	5.36'
16'	113.5	54.1	5.71'
17'	100.5	47.9	6.07'
18'	89.6	42.8	6.43'

**AVERAGE INITIAL FOOTCANDLES**

Reflectances: 80% Ceiling, 50% Walls, 20% Floors

Luminaire Spacing	Room Cavity Ratio		
	RCR1	RCR4	RCR8
5' x 5'	187	169	155
6' x 6'	130	117	108
7' x 7'	95	86	79
8' x 8'	73	66	61
9' x 9'	58	52	48
10' x 10'	47	42	39
11' x 11'	39	35	32
12' x 12'	32	29	27



**Candlepower Distribution (Candelas)**

Angle	Candela	Lumens
0°	29044	-
5°	23535	2246
15°	5549	1573
25°	453	210
35°	96	60
45°	16	12
55°	0	0
65°	0	0
75°	0	0
85°	0	0

**Luminance Data**

Ang in Deg	Footlamberts	Candela/M <sup>2</sup>
45°	232	796
55°	0	0
65°	0	0
75°	0	0
85°	0	0

**Zonal Lumen Summary**

Zone	Lumens	%Lamp	%Fixture
0-30°	4029	45.8	98.2
0-40°	4090	46.5	99.7
0-60°	4102	46.6	100.0
0-90°	4102	46.6	100.0
90-180°	0	0.0	0.0
0-180°	4102	46.6	100.0

**COEFFICIENTS OF UTILIZATION - % (Zonal Cavity Method)**

Effective Floor Reflectance 20%

RCC	80		70		50		30		10		0							
	70	50	30	10	70	50	30	10	50	30	10	0						
0	55	55	55	55	54	54	54	54	52	52	50	50	48	48	48	47		
1	54	53	52	52	53	52	51	51	50	50	49	49	48	48	47	46	46	
2	52	51	50	49	52	50	49	48	49	48	47	48	47	46	46	45	45	
3	51	49	48	47	50	49	47	46	48	47	46	47	46	45	46	45	44	44
4	50	48	46	45	49	47	46	45	47	45	44	46	45	44	45	44	44	43
5	49	47	45	44	48	46	45	44	46	44	43	45	44	43	44	43	43	42
6	48	46	44	43	47	45	44	43	45	43	42	44	43	42	44	43	42	42
7	47	45	43	42	47	44	43	42	44	43	42	43	42	41	43	42	41	41
8	46	44	42	41	46	43	42	41	43	42	41	43	41	41	42	41	41	40
9	45	43	41	40	45	43	41	40	42	41	40	42	41	40	42	41	40	40
10	44	42	41	40	44	42	40	39	42	40	39	41	40	39	41	40	39	39



**indy**

1300 S. Wolf Road • Des Plaines, IL 60018 • Phone (800) 367-5866 • Fax (888) 708-6578  
Visit us at [www.junolightinggroup.com](http://www.junolightinggroup.com)

Printed in U.S.A. ©2009 Juno Lighting, LLC.