

PRODUCT SPECIFICATIONS
Optics

Cone: Self-flanged, specular clear Alzak® (SACSF) satin cone with low iridescent finish is standard • Other Alzak® satin finishes are available; see trim options

Electrical

Pre-wired junction box, thermal protection and 200°C, SF-1 wire standard
Lampholder: Medium base heavy duty 4KV porcelain socket with nickel plated brass screw shell
Ballast: Universal 120/277 Volt electronic solid state, high power factor, reliable starting to -30°C

Mechanical

Adjustability: Yoke assembly allows 355° rotation and up to 45° tilt of lamp • Rotation and tilt locking are standard
Housing: Heavy gauge steel with black baked enamel finish.
Mounting Frame: Heavy gauge steel lower housing ring with factory installed spring steel friction clips securely holds cones in ceiling • Accommodates ceilings up to 3/4" thick; ceiling thickness adapter accessory is available for ceilings up to 2"
Mounting Bracket: Mounting brackets have 3" vertical adjustment and accept 1 1/2" C-channel mounting bars • Indy TRU-LOCK bar hangers are supplied standard • For non-accessible ceiling add suffix "825" for 28" "C" channel mounting bars • One-piece Tru-Lock bar hangers have integral T-Bar locking screws and alignment notches for locating and locking fixture in the center or 1/4 tile increments
Junction Box: Ballast mounted to J-box cover for optimal heat dissipation and serviceability from below the ceiling • Oversized 4" x 6" galvanized steel junction box with (6) 1/2" and (1) 3/4" knockouts facilitate quick wiring • Junction box rated for eight No. 12 AWG 90°C branch circuit conductors (4-in, 4-out)

Labels and Listings

UL/C-UL listed for feed through and damp locations • I.B.E.W. Union made

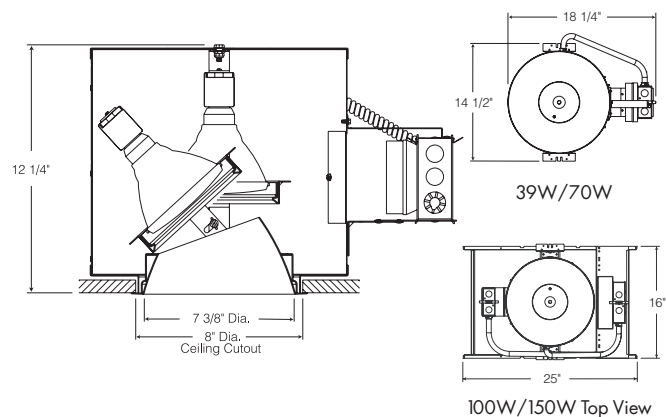
Product specifications subject to change without notice.

ENGINEERING DATA

Voltage	120V-HPF				277V-HPF				347V-HPF Canada					
	Lamp	Wattage	39E	70E	100E	150E	39E	70E	100E	150E	39E	70E	100E	150E
Total input power		44W	78W	110W	167W	44W	78W	110W	167W	45W	78W	110W	164W	
Operating AMPS		0.37	0.67	0.94	1.40	0.17	0.29	0.42	0.61	0.14	0.23	0.32	0.47	
ANSI Code		M100	M143	M140	M102	M100	M143	M140	M102	M100	M143	M140	M102	
			M98	M90	M142		M98	M90	M142		M98	M90	M142	

DESIGNER SERIES 8" PAR30/38 METAL HALIDE INTERNALLY ADJUSTABLE ACCENT LIGHT 39W, 70W, 100W, 150W PAR30/38 METAL HALIDE HAB8

Type	Cat. No.
_____	_____
_____	_____
Project:	_____
Notes:	_____

DIMENSIONS

ORDERING INFORMATION: Accessories ordered separately.

Example: **HAB8-70E-SACSF-825**

Catalog#	Lamp/Wattage	Trim Options	Options	Accessories
HAB8				
HAB8	39E 39W, PAR30 120/277V Electronic	Alzak® Satin Finish Options SACSF Clear CGCSF Champagne Gold BACSF Black PACSF Pewter WTCSF Wheat BRCSF Bronze Painted Finish Options WHCF White Painted Cone	PF Painted Flange Only (White) ***F Fuse and Fuse Holder (Where *** = voltage) †CP Chicago Plenum Approval 825 28" "C" Channel Mounting Bars, Pair †347 347 Volt	To specify, order as additional item. Example: 854-LVR-CF-B 854- Accessory Holder (Holds up to two accessories) PGL - Prismatic Glass Lens LSL - Linear Spread Lens CF - Color Filter (Specify color) R-Red P-Pink B-Light Blue MB-Medium Blue A-Amber G-Green LVR - Louver
ⓔ 150E1	150W, PAR38 120V Electronic			
ⓔ 150E2	150W, PAR38 277V Electronic			

ⓔ Indicates that the product meets DOE energy efficient standards - EISA compliant.

† Consult Factory for Availability

LAMP DATA

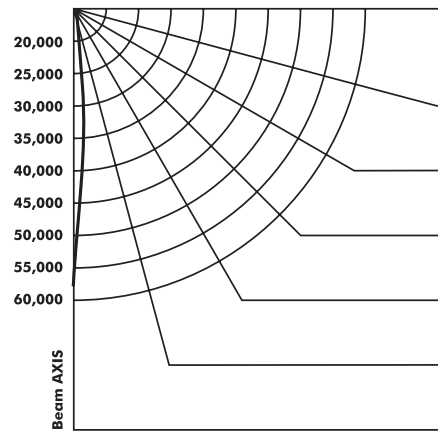
Beam spreads plotted at 50% maximum candlepower; footcandles at 0° aiming angle.
Values are based on nominal conditions and may change with field or manufacturing variables.

100W PAR38 MEDAL HALIDE SPOT

Footcandles Beam Center	Footcandles Beam Edge	Beam Diameter (ft)	Distance From Wall (ft)
3656	1875	0.84	4
2340	1200	1.1	5
1625	833	1.3	6
1194	612	1.5	7
914	469	1.7	8
722	370	1.9	9
585	300	2.1	10
483	248	2.3	11
406	208	2.5	12
346	178	2.7	13
298	153	3.0	14
260	133	3.2	15
229	117	3.4	16
202	104	3.6	17
181	93	3.8	18



CANDLEPOWER DISTRIBUTION (candelas)



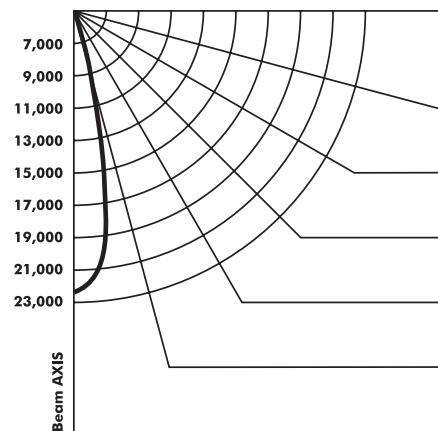
Vertical Angle	Candela
90°	0
85°	0
80°	0
75°	4
70°	2
65°	2
60°	0
55°	0
50°	5
45°	7
40°	20
35°	58
30°	166
25°	560
20°	1,343
15°	3,802
10°	12,726
5°	36,597
0°	58,495

100W PAR38 MEDAL HALIDE FLOOD

Footcandles Beam Center	Footcandles Beam Edge	Beam Diameter (ft)	Distance From Wall (ft)
1419	702	1.7	4
908	449	2.2	5
631	312	2.6	6
463	229	3.0	7
355	176	3.4	8
280	139	3.8	9
227	112	4.3	10
188	93	4.7	11
158	78	5.1	12
134	67	5.6	13
116	57	6.0	14
101	50	6.4	15
89	44	6.7	16
79	39	7.3	17
70	35	7.7	18



CANDLEPOWER DISTRIBUTION (candelas)



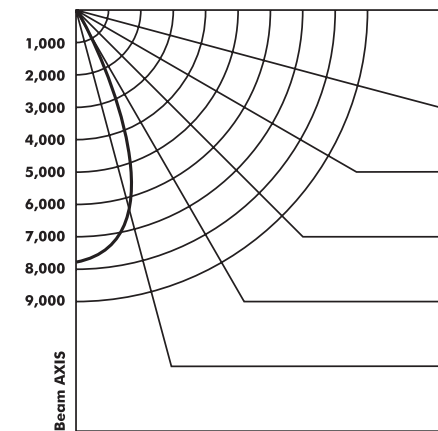
Vertical Angle	Candela
90°	0
85°	0
80°	0
75°	0
70°	0
65°	2
60°	0
55°	0
50°	5
45°	9
40°	36
35°	19
30°	199
25°	788
20°	2,933
15°	7,806
10°	15,172
5°	21,378
0°	22,703

100W PAR38 MEDAL HALIDE WIDE FLOOD

Footcandles Beam Center	Footcandles Beam Edge	Beam Diameter (ft)	Distance From Wall (ft)
486	209	2.9	4
311	134	3.7	5
216	93	4.4	6
159	68	5.2	7
122	52	5.9	8
96	41	6.6	9
78	33	7.4	10
64	28	8.1	11
54	23	8.8	12
46	20	9.6	13
40	17	10.3	14
35	15	11.0	15
30	13	11.8	16
27	12	12.5	17
24	10	13.3	18



CANDLEPOWER DISTRIBUTION (candelas)



Vertical Angle	Candela
90°	0
85°	0
80°	0
75°	0
70°	0
65°	2
60°	0
55°	5
50°	6
45°	37
40°	142
35°	663
30°	1,739
25°	3,058
20°	4,085
15°	5,134
10°	6,368
5°	7,456
0°	7,782