

PRODUCT SPECIFICATIONS

Optics

Two-piece optical system maximizes lamp output while providing excellent glare control

Lower Cone: Self-flanged, specular clear Alzak® (SACSF) satin cone with low iridescent finish is standard • Other Alzak® satin finishes are available; see trim options

Upper Reflector: Faceted, specular clear Alzak® reflector is standard.

Lens: Protective clear tempered glass lamp guard is standard.

Electrical

Pre-wired junction box, thermal protection and 200°C, SF-1 wire standard

Lamp Holder: G12 socket base with heavy duty recessed female contacts. 660W, 600V, rated for 5KV pulse

Ballast: Universal 120/277 Volt electronic solid state, high power factor, reliable starting to -30°C

Mechanical

Housing: Heavy gauge steel with black baked enamel finish

Mounting Frame: Heavy gauge steel lower housing ring with factory installed spring steel friction clips securely holds cones in ceiling

• Accommodates ceilings up to 3/4" thick • Trim collar is available for thicker ceilings; consult factory

Mounting Bracket: Mounting brackets have 3" vertical adjustment and accept 1 1/2" C-channel mounting bars • Indy TRU-LOCK bar hangers are supplied standard • For non-accessible ceiling add suffix "825" for 28" "C" channel mounting bars • One-piece Tru-Lock bar hangers have integral T-Bar locking screws and alignment notches for locating and locking fixture in the center or 1/4 tile increments

Junction Box: Oversized 4" x 6" galvanized steel junction box with (6) 1/2" and (1) 3/4" knockouts facilitate quick wiring • Junction box rated for eight No. 12 AWG 90 C branch circuit conductors (4-in, 4-out)

Labels and Listings

UL/C-UL listed for feed through and damp locations • I.B.E.W. Union made

Product specifications subject to change without notice.

ENGINEERING DATA

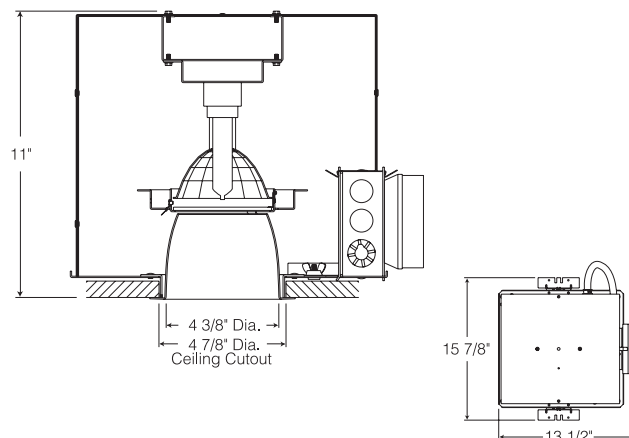
Voltage	120V-HPF		277V-HPF		347V-HPF Canada	
	39E	70E	39E	70E	39E	70E
Lamp Wattage	39E	70E	39E	70E	39E	70E
Total input power	46W	78W	46W	78W	†	†
Operating AMPS	.39	.65	.18	.28	†	†
ANSI Code	M130	M139/ M143/ M98	M130	M139	†	†
				M143 M98		

DESIGNER SERIES 4" T6 METAL HALIDE OPEN REFLECTOR DOWNLIGHT

20W, 39W, 70W
T6 METAL HALIDE
HD54

Type	Cat. No.
_____	_____
_____	_____
Project: _____	
Notes: _____	

DIMENSIONS



ORDERING INFORMATION: Accessories ordered separately.

Example: **HD54-39E-SACSF**

Catalog#	Lamp/Wattage	Trim Options	Options	Accessories
HD54				
HD54 T6 MH Lamp	20E 20W, 120/277V Electronic	Alzak® Satin Finish Options SACSF Clear CGCSF Champagne Gold BACSF Black PACSF Pewter WTCSF Wheat BRCSF Bronze Painted Finish Options WHCF White Painted Cone	PF Painted Flange Only (White) ** * F Fuse and Fuse Holder (Where *** = voltage) †CP Chicago Plenum Approval 825 28" 'C' Channel Mounting Bars, Pair †347 347 Volt	SCA4-* Sloped Ceiling Adapter *Angle must be specified when ordering. Available in 5 , 10 , 15 , 20 , 25 , 30 . Example: SCA4-15

**OPEN REFLECTOR
(4" T6 METAL HALIDE)**

Catalog Number: HD54-70E-SACSF
PHOTOMETRIC REPORT

Test Number: PRO5050603

Total Luminaire Efficiency: 60.0%

Luminaire Spacing Criteria: 0.53

Luminaire: Specular Clear Alzak® satin lower cone with fluted, diffused Alzak® flood upper reflector. Open bottom.

Lamp: One (1) Philips 70W, T6 Metal Halide (CDM70W/T6/942), rated at 6200 lumens.

CIE-Type: Direct

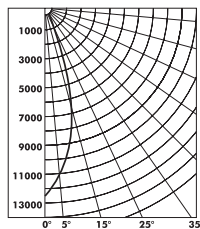
Initial Footcandles

Distance to Illuminated Plane (Feet)	Footcandles Beam Center	Footcandles Beam Edge	Beam Diameter
8'	196.7	87.4	4.57'
9'	155.4	69.1	5.15'
10'	125.9	55.9	5.72'
11'	104.0	46.2	6.29'
12'	87.4	38.8	6.86'
13'	74.5	33.1	7.43'
14'	64.2	28.5	8.00'
15'	55.9	24.9	8.58'
16'	49.2	21.9	9.15'
17'	43.6	19.4	9.72'

AVERAGE INITIAL FOOTCANDLES

Reflectances: 80% Ceiling, 50% Walls, 20% Floors

Luminaire Spacing	Room Cavity Ratio		
	RCR1	RCR4	RCR8
5' x 5'	169	146	129
6' x 6'	117	102	90
7' x 7'	86	75	66
8' x 8'	66	57	50
9' x 9'	52	45	40
10' x 10'	42	37	32
11' x 11'	35	30	27
12' x 12'	29	25	22



Candlepower Distribution (Candelas)

Angle	Candela	Lumens
0°	12587	-
5°	11254	1074
15°	6895	1955
25°	1351	625
35°	75	47
45°	23	18
55°	3	3
65°	0	0
75°	0	0
85°	0	0

Luminance Data

Ang in Deg	Footlamberts	Candela/M ²
45°	973	3332
55°	173	592
65°	0	0
75°	0	0
85°	0	0

Zonal Lumen Summary

Zone	Lumens	%Lamp	%Fixture
0-30°	3654	58.9	98.2
0-40°	3701	59.7	99.4
0-60°	3722	60.0	100.0
0-90°	3722	60.0	100.0
90-180°	0	0.0	0.0
0-180°	3722	60.0	100.0

COEFFICIENTS OF UTILIZATION - % (Zonal Cavity Method)

Effective Floor Reflectance 20%

RCC	80		70		50		30		10		0						
	70	50	30	10	70	50	30	10	50	30	10	0					
RW	71	71	71	71	70	70	70	70	67	67	64	64	64	61	61	61	60
1	69	68	67	66	68	66	65	65	64	63	63	62	61	61	60	59	58
2	67	65	63	61	66	64	62	61	62	60	59	60	59	58	58	58	57
3	65	62	60	58	64	61	59	57	60	58	57	58	57	56	57	56	55
4	63	59	57	55	62	59	57	55	58	56	54	56	55	54	55	54	53
5	61	57	55	53	60	57	54	53	56	54	52	55	53	52	54	52	51
6	59	55	53	51	58	55	52	51	54	52	50	53	51	50	52	51	50
7	57	53	51	49	57	53	51	49	52	50	49	52	50	48	51	49	48
8	56	52	49	47	55	51	49	47	51	49	47	50	48	47	50	48	47
9	54	50	47	46	53	50	47	46	49	47	46	49	47	45	48	47	45
10	53	48	46	44	52	48	46	44	48	46	44	47	46	44	47	45	44

Lamp multiplier:
39W x 0.55



1300 S. Wolf Road • Des Plaines, IL 60018 • Phone (800) 367-5866 • Fax (888) 708-6578
Visit us at www.junolightinggroup.com

Printed in U.S.A. ©2008 Juno Lighting, LLC.