

PRODUCT SPECIFICATIONS

Optics

Reflector: Semi-specular clear, low iridescent pre-anodized aluminum
 • Protective film dust guard • Heavy gauge steel trim flange designed to conceal ceiling cut-out • Finish to be matte white baked enamel

Electrical

Socket: White thermoplastic base with metal spring clips for positive lamp retention

Ballast: Universal 120V/277V electronic, class "P," high power factor is standard

Wiring: All ballasts and auxiliary equipment carry standard manufacturers' guarantees • Fixtures may be wired from outside the housing through access plate provided

Mechanical

Mounting Frame: Heavy gauge galvanized steel • Adjustable mounting brackets accept 1 1/2" "C" channel mounting bars • Indy TRU-LOCK grid ceiling bar hangers are supplied standard • For non-accessible ceilings add suffix "825" for 28" "C" channel mounting bars

Housing: 22-gauge die-formed C.R.S. with baked white enamel finish

Lamps: Shown with one triple tube compact fluorescent lamp (by others)

Labels and Listings

UL/C-UL listed for feed through and damp locations • I.B.E.W. Union made

Product specifications subject to change without notice.

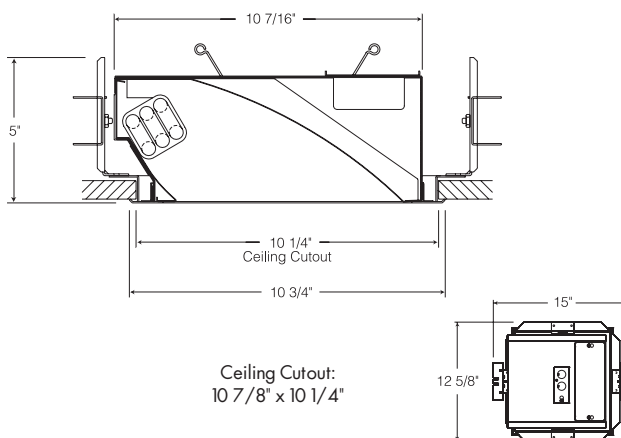
1' x 1' TRIPLE TUBE HORIZONTAL 1-LAMP WALLWASH/ACCENT LIGHT 26/32/42W, 57W, 70W COMPACT FLUORESCENT 25SQ21

Type	Cat. No.
_____	_____
_____	_____
Project: _____	
Notes: _____	

ENGINEERING DATA

Voltage	120V-HPF					277V-HPF				
	26W	32W	42W	57W	70W	26W	32W	42W	57W	70W
Lamp Wattage	26W	32W	42W	57W	70W	26W	32W	42W	57W	70W
Total input power	27W	36W	46W	63W	75W	27W	36W	46W	64W	75W
Operating AMPS	0.23	0.31	0.38	.052	.063	0.10	0.13	0.17	0.23	0.27
Ballast factor	1.00	0.98	0.98	0.99	0.96	1.00	0.98	0.98	0.99	0.96

DIMENSIONS



ORDERING INFORMATION: Accessories ordered separately.

Example: **25SQ21-42E-SA-825**

Catalog#	Trim Options	Options
25SQ21-42E 26/32/42W Universal	Alzak® Clear Finish Options SA Clear CG Champagne Gold BA Black PA Pewter WT Wheat BR Bronze	LD ¹ Dimming Ballast, Lutron Compact SE AD ¹ Dimming Ballast, Advance Mark 10™ D7 Dimming Ballast, Advance Mark 7™ ** * F Fuse and Fuse Holder (Where *** = voltage) †CP Chicago Plenum Approval 825 28" 'C' Channel Mounting Bars, Pair †347 347 Volt
25SQ21-57E 57W Universal		
25SQ21-70E 70W Universal		

† Consult Factory for Availability
1/10

¹ Add a -1 for 120V, a -2 for 277V

PERFORMANCE DATA

LUMINAIRES SPACED 3' FROM WALL (Lamp side of fixture spaced 3' from wall)

Catalog Number: 25SQ21-42E-SA

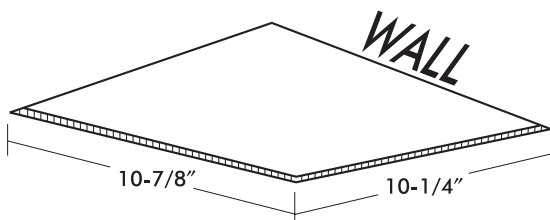
Lamp: One (1) 42-Watt triple tube compact fluorescent lamp, rated @ 3,200 lumens

Lamp Multipliers: 26W x 0.56; 32W x 0.75; 57W x 1.34; 70W x 1.63

Single Unit						Lamp	Multiple Units On 3' Center*			Multiple Units On 4' Centers*			Multiple Units On 6' Centers*		
Lateral Distance From Fixture 3' From Wall							42W Triple Tube Distance From Ceiling	Spaced 3' From Wall			Spaced 3' From Wall			Spaced 3' From Wall	
0'	1'	2'	3'	4'	5'			CL	CL	CL	CL	CL	CL	CL	CL
45	37	20	9	4	2	1'	64	62	64	53	41	53	47	18	47
42	36	23	13	7	4	2'	71	71	71	56	50	56	46	27	46
29	26	19	12	8	5	3'	57	59	57	45	43	45	34	25	34
22	21	17	11	7	5	4'	50	51	50	37	39	37	29	23	29
16	15	13	10	7	5	5'	42	42	42	31	32	31	23	21	23
10	10	9	7	6	4	6'	31	31	31	23	24	23	16	17	16
7	7	6	5	4	4	7'	22	23	22	17	18	17	12	13	12
5	5	5	4	4	3	8'	18	18	18	13	14	13	10	10	10
3	3	3	3	3	2	9'	15	15	15	11	11	11	8	9	8

* Based on minimum of five luminaires. Reflectances: 80, 50, 20. Values are rounded to nearest whole footcandle.

CEILING CUTOUT DIMENSIONS



REMOVE PROTECTIVE FILM DUST GUARD

