

PRODUCT SPECIFICATIONS

Optics

Two-piece optical system maximizes lamp output while providing excellent glare control

Trim: Self-flanged, specular clear Alzak® (SATSF) satin trim with low iridescent finish is standard • Other Alzak® satin finishes are available; see trim options

Upper Reflector: Upper reflector finish is specular clear Alzak® standard

Electrical

Ballast: Class "P" thermally protected 120V/277V universal voltage high power factor electronic ballast with end of life protection

Lamp Holder: 4-pin GX24q UV stabilized thermoplastic socket with nonfatiguing stainless steel lamp retention spring.

Mechanical

Housing: Heavy gauge steel with black enamel finish

Mounting Frame: Heavy gauge steel lower housing ring with factory installed spring steel friction clips securely holds cones in ceiling

• Accommodates ceilings up to 3/4" thick • Trim collar is available for thicker ceilings; consult factory

Mounting Bracket: Mounting brackets have 3" vertical adjustment and accept 1-1/2" "C" channel mounting bars • Indy TRU-LOCK bar hangers are supplied standard • For non-accessible ceiling add suffix "825" for 28" "C" channel mounting bars • One-piece Tru-Lock bar hangers have integral T-bar locking screws and alignment notches for locating and locking fixture in the center of 1/4 tile increments

Junction Box: Galvanized steel junction box with (6) 1/2" and (1) 3/4" knockouts facilitate quick wiring • Junction box rated for eight No. 12 AWG 90 °C branch circuit conductors (4in, 4-out)

Labels and Listings

UL/C-UL listed for feed through and damp locations • I.B.E.W. Union made

Product specifications subject to change without notice.

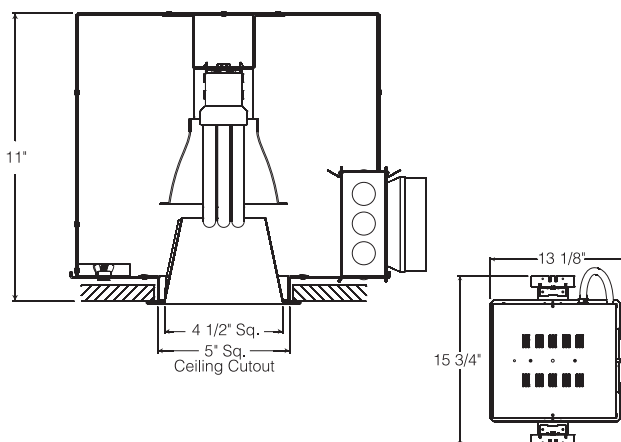
ENGINEERING DATA

Voltage	120V-HPF		277V-HPF		347V-HPF Canada	
Lamp Wattage	26W	32W	26W	32W	26W	32W
Total input power	27W	36W	27W	36W	31W	36W
Operating AMPS	0.23	0.31	0.10	0.13	0.09	0.11
Ballast factor	1.00	0.98	1.00	0.98	1.02	0.98

**DESIGNER SERIES
4" TRIPLE TUBE VERTICAL LAMP
OPEN REFLECTOR
SQUARE DOWNLIGHT**
26W, 32W
COMPACT FLUORESCENT
FDSQ14

Type	Cat. No.
_____	_____
_____	_____
Project: _____	
Notes: _____	

DIMENSIONS



ORDERING INFORMATION: Accessories ordered separately.

Example: **FDSQ14-32E-SATSF-825**

Catalog#	Trim Options	Options
<input type="text"/>	<input type="text"/>	<input type="text"/>
FDSQ14-26E 26W Universal	Alzak® Satin Finish Options² SATSF² Clear CGTSF² Champagne Gold BATSF² Black PATSF² Pewter WTTSF² Wheat BRTSF² Bronze Painted Finish Options WHTF White Painted Cone	PF Painted Flange Only (White) LD¹ Dimming Ballast, Lutron Compact SE AD¹ Dimming Ballast, Advance Mark 10™ D7 Dimming Ballast, Advance Mark 7™ BP-I 120/277V Emergency Battery Pack with Internal Test Switch (For remote test switch specify - BP) HP-I 120/277V High-Lumen Emergency Battery Pack with Internal Test Switch (For remote test switch specify - HP) F Fuse and Fuse Holder †CP Chicago Plenum Approval 825 28" 'C' Channel Mounting Bars, Pair †347 347 Volt

† Consult Factory for Availability
1/10

¹ Add a -1 for 120V, a -2 for 277V
² For Specular Trim, remove "S"
(Example: SATF)



**OPEN REFLECTOR
(4" TRIPLE TUBE)**

Catalog Number: FDSQ14-32E-SATSF
PHOTOMETRIC REPORT

Test Number: PR09050801

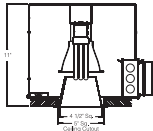
Total Luminaire Efficiency: 32.1%

Luminaire Spacing Criteria: 1.37

Luminaire: Specular Clear Alzak® satin trim. Open bottom.

Lamp: One (1) Philips PL-T 32W/4p, rated at 2400 lumens.

CIE-Type: Direct



**Candlepower
Distribution**

Angle	Candela	Lumens
0°	412	-
5°	430	41
15°	523	148
25°	517	239
35°	355	223
45°	137	106
55°	12	11
65°	0	0
75°	0	0
85°	2	2

Initial Footcandles

Distance to Illuminated Plane (Feet)	Footcandles Beam Center	Footcandles Beam Edge	Beam Diameter
6'	11.5	3.6	9.6'
7'	8.4	2.7	11.2'
8'	6.4	2.0	12.8'
9'	5.1	1.6	14.4'
10'	4.1	1.3	16.0'
11'	3.4	1.1	17.6'
12'	2.9	0.9	19.2'
13'	2.4	0.8	20.7'
14'	2.1	0.7	22.3'
15'	1.8	0.6	23.9'

Luminance Data

Ang in Deg	Footlamberts	Candela/M ²
45°	4324	14814
55°	476	1629
65°	0	0
75°	0	0
85°	523	1793

Zonal Lumen Summary

Zone	Lumens	%Lamp	%Fixture
0-30°	428	17.8	55.6
0-40°	652	27.1	84.5
0-60°	769	32.0	99.7
0-90°	771	32.1	100.0
90-180°	0	0.0	0.0
0-180°	771	32.1	100.0

AVERAGE INITIAL FOOTCANDLES

Reflectances: 80% Ceiling, 50% Walls, 20% Floors

Luminaire Spacing	Room Cavity Ratio		
	RCR1	RCR4	RCR8
5' x 5'	34	27	19
6' x 6'	23	19	13
7' x 7'	17	14	10
8' x 8'	13	11	8
9' x 9'	10	8	6
10' x 10'	8	7	5
11' x 11'	7	6	4
12' x 12'	6	5	3

$$RCR = \frac{5H(L+W)}{L \times W}$$

H = Height to work plane

L = Length of room

W = Width of room

COEFFICIENTS OF UTILIZATION - % (Zonal Cavity Method)

Effective Floor Reflectance 20%

RCC	80		70		50		30		10		0						
	70	50	30	10	70	50	30	10	50	30	10	0					
RW	0	38	38	38	37	37	37	36	36	36	34	34	34	33	33	33	32
1	36	35	34	34	35	35	34	33	33	33	32	32	31	31	31	30	30
2	34	32	31	30	33	32	31	29	31	30	29	30	29	28	28	28	27
3	32	30	28	27	32	29	28	26	29	27	26	28	27	26	27	26	25
4	30	28	26	24	30	27	25	24	26	25	24	26	24	23	25	24	23
5	28	25	23	22	28	25	23	22	25	23	22	24	22	21	23	22	21
6	27	24	21	20	26	23	21	20	23	21	20	22	21	20	22	20	19
7	25	22	20	18	25	22	20	18	21	19	18	21	19	18	20	19	18
8	24	20	18	17	23	20	18	17	20	18	17	19	18	16	19	18	16
9	22	19	17	15	22	19	17	15	18	17	15	18	16	15	18	16	15
10	21	18	16	14	21	17	15	14	17	15	14	17	15	14	17	15	14



JUNO LIGHTING GROUP
by Schneider Electric



1300 South Wolf Road • Des Plaines, Illinois 60018 • PHONE 800-367-5866 • FAX 888-708-6578

Visit us at www.junolightinggroup.com

Printed in U.S.A. ©2010 Juno Lighting, LLC.