

PRODUCT SPECIFICATIONS

Optics

Reflector: Non-iridescent specular clear aluminum • Protective film dust guard.

Electrical

Socket: 2G11 base, high-strength thermoplastic

Ballast: Electronic, universal voltage, class "P," high power factor

Wiring: All ballasts and auxiliary equipment carry standard manufacturers' guarantees • Fixtures may be wired from outside the housing through access plate provided

Mechanical

Mounting: T-bar: End brackets rest on T-bar • Side rails support lay-in tile
• Bracket is set for standard 1-1/2" T-bar

Drywall: Drywall frame mounts in ceiling; framed by others • Fixture lies in drywall frame

Housing: 22-gauge die formed C.R.S. with baked white enamel finish

Lamps: Shown with one long twin tube fluorescent lamp (by others)

Labels and Listings

UL/C-UL listed for feed through and damp locations • I.B.E.W. Union made

Product specifications subject to change without notice.

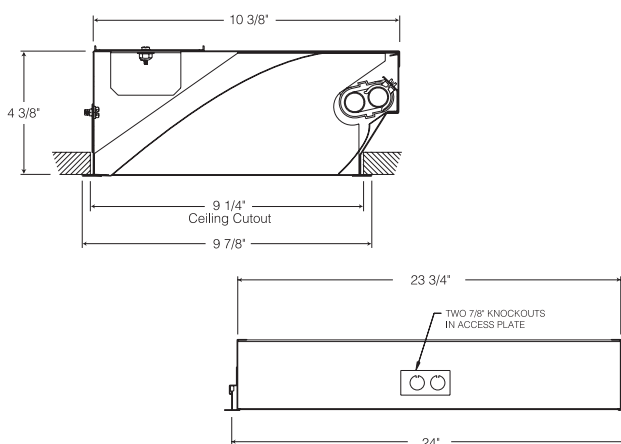
1' x 2' RECESSED WALLWASH/ACCENT LIGHT 40W, 50W, 55W, 80W COMPACT FLUORESCENT 25R71

Type	Cat. No.
_____	_____
_____	_____
Project: _____	
Notes: _____	

ENGINEERING DATA

Voltage	120V-HPF				277V-HPF			
	40W	50W	55W	80W	40W	50W	55W	80W
Lamp Wattage	40W	50W	55W	80W	40W	50W	55W	80W
Total input power	46W	64W	57W	80W	48W	60W	57W	81W
Operating AMPS	0.38	0.53	0.47	0.65	0.18	0.22	0.21	0.29
Ballast factor	1.00	1.12	0.90	0.85	1.00	1.03	0.90	0.86

DIMENSIONS



ORDERING INFORMATION: Accessories ordered separately.

Example: **25R71-40E-SA**

Catalog#	Trim Options	Options
<input type="text"/>	<input type="text"/>	<input type="text"/>
25R71-40E 40W PL-L 40; DULUX-40; F40BX Universal	Alzak® Clear Finish Options SA Clear CG Champagne Gold BA Black PA Pewter WT Wheat BR Bronze	LD ¹ Dimming Ballast, Lutron Compact SE AD ¹ Dimming Ballast, Advance Mark 10™ D7 Dimming Ballast, Advance Mark 7™ ** * F Fuse and Fuse Holder (Where *** = voltage) †CP Chicago Plenum Approval DWF Drywall Frame †347 347 Volt
25R71-50E 50W PL-L 50; F50BX Universal		
25R71-55E 55W DULUX-L55 Universal		
25R71-80E 80W PL-L 80 Universal		

† Consult Factory for Availability
1/10

¹ Add a -1 for 120V, a -2 for 277V

PERFORMANCE DATA

LUMINAIRES SPACED 3' FROM WALL (Lamp side of fixture spaced 3' from wall)

Catalog Number: 25R71-40E-SA

Spread: Single Wall

Lamp: One (1) 40-Watt F40BX/SP35 compact fluorescent lamp, rated @ 3,150 lumens.

Single Unit						Lamp	Multiple Units On 4' Center*			Multiple Units On 6' Centers*		
Lateral Distance From Fixture 3' From Wall						40W F40BX/SP35	Spaced 3' From Wall			Spaced 3' From Wall		
0'	1'	2'	3'	4'	5'	Distance From Ceiling	CL	CL	CL	CL	CL	CL
60	54	28	11	7	3	1'	102	97	102	85	53	85
63	54	34	27	19	13	2'	97	101	97	77	58	77
49	45	37	25	17	12	3'	87	89	87	62	50	62
36	34	29	25	16	10	4'	69	74	69	56	50	56
34	33	26	21	15	10	5'	65	62	65	52	47	52
32	28	20	18	13	10	6'	56	56	56	46	42	46
27	22	17	16	12	11	7'	48	50	48	40	40	40
21	18	14	13	11	10	8'	40	41	40	35	34	35
14	11	8	8	8	8	9'	34	34	34	31	29	31

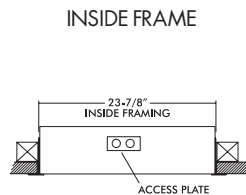
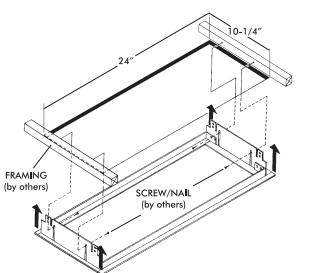
Lamp Multipliers
 50W x 1.27
 55W x 1.52
 80W x 1.90

* Based on minimum of five luminaires. Reflectances: 80, 50, 20. Values are rounded to nearest whole footcandle.

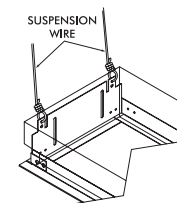
DRYWALL MOUNTING (DWF) INSTALLATION INSTRUCTIONS

1. Cut ceiling to 10-1/4" x 24".
2. Locate framing (by others) as shown.
3. Install drywall frame using screws or nails (by others) to secure frame.
4. Complete wiring to power supply and ground by using the quick access plate on back of fixture.
5. Lift fixture through frame opening. Position lamp-side away from wall and place fixture into frame.

*NOTE: REQUIRES 15" MIN. PLENUM TO INSTALL FIXTURE.

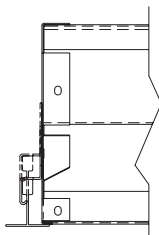


SUSPENSION WIRES (Alternative Installation)



T-BAR MOUNTING

Adjustable end brackets slide over T-bars for installation into grid ceilings. Side rails support lay-in tile.



CEILING TYPE

